

# Spanish Attitudes Towards Euthanasia and Physician-assisted Suicide

*Actitudes de los españoles ante la eutanasia y el suicidio médico asistido*

**Rafael Serrano del Rosal and Adrián Heredia Cerro**

## Key words

- Bioethics
- Sociodemographic Characteristics
- Exit Fees
- Euthanasia
- Death
- Physician-Assisted Suicide

## Palabras clave

- Bioética
- Características sociodemográficas
- Derechos de salida
- Eutanasia
- Muerte
- Suicidio médicamente asistido

## Abstract

This study examines the process of dying and considers death as an important social reality. Currently, a socially-shared ideal exists regarding this process and what would ultimately be considered a good death. This ideal is attainable, however, empirically and legally, it is not realistic. Along these lines, we have established an initial objective of measuring the support for two practices that could potentially help achieve the so-called "exit fees": euthanasia and physician-assisted suicide. Second, we test whether or not there are significant differences in the opinions and attitudes of Spaniards regarding their regulation and we examine the sociodemographic and contextual characteristics that could possibly help to explain these practices. And, finally, we interpret and discuss the empirical results from a sociological perspective, based on civic republicanism and bioethics.

## Resumen

Este trabajo aborda el proceso de morir y la muerte como un hecho social de primer orden. Sobre dicho proceso y lo que sería una buena muerte existe un ideal socialmente compartido que, en la actualidad, se está en condiciones de alcanzar y del que, sin embargo, la realidad política y jurídica se aleja. En este contexto nos planteamos como objetivos, en primer lugar, medir el apoyo que tienen dos prácticas, como son la eutanasia y el suicidio médico asistido (SMA). En segundo lugar, contrastar si hay diferencias significativas en las opiniones y actitudes de los españoles respecto a su regulación y cuáles son las características sociodemográficas y contextuales que pudieran ayudarnos a explicarlas y, por último, interpretar y discutir los resultados desde una perspectiva sociológica que bebe del republicanismo cívico y la bioética.

## Citation

Serrano del Rosal, Rafael and Heredia Cerro, Adrián (2018). "Spanish Attitudes Towards Euthanasia and Physician-assisted Suicide". *Revista Española de Investigaciones Sociológicas*, 161: 103-120. (<http://dx.doi.org/10.5477/cis/reis.161.103>)

**Rafael Serrano del Rosal:** Instituto de Estudios Sociales Avanzados (CSIC) | [rserrano@iesa.csic.es](mailto:rserrano@iesa.csic.es)

**Adrián Heredia Cerro:** Universidad de Granada | [adrianherediacerro@outlook.com](mailto:adrianherediacerro@outlook.com)

## INTRODUCTION

Death is not only a biological occurrence, it is also a social event of the highest order which, although irremediable, certain, sure..., has, over time, created distinct ways of acting, thinking and feeling, that extend beyond the individual and that hold a certain power of coercion over them. So, discussing the *right to die*, we are not actually referring to the right to die in itself, but rather, the right to die with dignity (Soberon and Feinholz, 2008); that is, to dignify the process of dying, so as to ensure that it takes place with the same autonomy and freedom that one has in life, since in fact, the process of dying cannot be separated from the process of living, being merely the final part of the same.

The ageing of developed Western society is an indisputable and widespread fact (Abellán and Pujol, 2015), and this process has far from reached its peak, continuing to grow over time. So, while the moment of death has been delayed, the process of dying has extended, becoming less accidental and more controlled and medically controllable. In fact, as A. Blanco noted, the greatest concentration of healthcare expenses per capita occurs over the final years of life, increasing considerably as of the age of 75 (Blanco, 2012). And so, there is a tendency to deny death, assuming that it is not real or certain, and avoiding its study within a social context due to this attempt to separate, hide and reject it, even though this is clearly a ridiculous and socially ineffective approach. And so, death and the process of dying continue to be almost invisible, external, unknown and even spurned in contemporary Western societies. These societies declare that "to be dead is an unthinkable anomaly. No place, space or time is assigned to the dead" (Marí-Klose and De Miguel, 2000: 116); this would be turning our back on the reality in which we live.

It is this denial of death that which makes it even more complicated for the proposal of serious, analytical and empirical reflections

and analyses of this social event that affects the entire population, without discriminating and without exceptions. Death is, therefore, an inevitable, unique and irreversible social event. In statistical terms, it shall always have probability one.

While this work does not intend to negate the individual and biological dimension of death, we consider that by only examining the social dimension, we can fully examine this event which is also social and in part, legally shared, as reflected by that which P. Marí-Klose and J. De Miguel (2000) referred to as the *cannon of death*, that is, "an idealized model of death, the way in which most individuals anticipate their death (...) the explicit desires of healthy individuals regarding their own death" (Marí-Klose and De Miguel, 2000: 117). Generally speaking, these desires refer to dying: a) without pain; b) in one's sleep or unconscious; c) quickly; d) surrounded by loved ones; e) at an advanced age; f) at home (Marí-Klose and De Miguel, 2000). In this socially shared idea of what would be a good death, there are at least two elements that we wish to highlight: the first is that this is in itself, a contradictory idea, given that "it is difficult to die in one's own home and be surrounded by one's loved ones while at the same time, in one's sleep and suddenly (...). This incompatibility between the elements of the cannon is another example of the scarcity with which our society thinks about death" (Cerrillo and Serrano, 2010: 13); and, second, that the idea of ultimately being surrounded by our loved ones or accompanied by them, "may be interpreted as a rejection of the so-called "social death", which so often precedes physical death and which leads to abandonment and solitude" (Durán, 2004: 20).

Considering all of the previous, we should ask whether or not we are in a condition to know as much as possible about this ideal or *cannon of death*, that is, to tackle the process of our own death without letting go of ourselves, of how we have attempted to live, of our own dignity. Distinct authors have declared that in our society, and in our specific

context, the “modern day healthcare systems offer the possibility of bringing us closer to the ideal situation of a good death, thereby humanizing the process of dying” (Aguiar *et al.*, 2009: 1). However, the development of medical technology has promoted a prolonged existence, which is not necessarily accompanied by an increase in quality. “We have managed to add more time to our life but not necessarily to add more life to our time” (Montes *et al.*, 2012: 8), that is, in death, we have not managed to ensure that individuals preserve their dignity: that they may continue to be autonomous and free to choose, whenever possible, how they wish to die (Aguiar *et al.*, 2009).

“The universal nature of the phenomenon of death transcends the individual environment” (Soberon and Feinholz, 2008: 237), therefore, we believe that not only is it legal, it is also necessary in order to know and tackle these situations from a sociological perspective, even more so given that in those places where it has been regulated, such as Belgium, Holland, or the state of Oregon, it has not been regulated in the same way or for the same practices (Molina and Serrano, 2014).

Therefore, considering death (and all that accompanies it) as a social event regarding which society appears to have certain preferences (*cannon of death*), that we are prepared and quite capable of achieving this, it is difficult to understand why, in Spain, individuals still have bad deaths, as confirmed by various fields and based on the need for an increased number of autonomous communities to promote laws that attempt to end the arbitrariness of this, the final process of life (Montes *et al.*, 2012: 54). That is, we are in a situation in which there “is an open debate, regarding whether or not a ‘dignified death’ can be considered a ‘right’, even as a third generation human right” (Simón, 2008: 271)<sup>1</sup>.

As for the possibility of ensuring a dignified death, as defined above, distinct processes may help to facilitate it, converting it into a civil right. Specifically, in this work, we shall refer to euthanasia and physician assisted suicide as practices which, even when they are available— that is, when they are not overly expensive or technically impossible, continue to be considered crimes in Spain. When considering, not the ultimate result of these practices (biological death), but rather, their legitimate basis: the dignity of the individuals (Palacios, 2009), it seems incoherent that, in our context, it is not possible to request them in any situation, even when distinct studies have demonstrated the great social support for their legalization as a negative freedom (Aguiar *et al.*, 2015).

Despite the various studies that have been published on this topic from a variety of fields —sociological, political, legal, ethical, religious...—, the practices that are under examination here have always managed to generate controversy (Simón, 2008) and they have rarely been defined with clarity; to the contrary, in order to pinpoint their diverse meanings, adjectives such as active, passive, direct, indirect, voluntary or involuntary have been used, which, far from clarifying these concepts, often blur them and cloud the reality that they are attempting to define. These adjectives tend to accompany the term euthanasia, given that this is the practice that is more present in Spanish and European society, as compared to physician-assisted suicide, a practice that is more common and understood in Anglo Saxon societies.

So, the Andalusian autonomous community, with its Law 2/2010, of 8 April, on Rights and Guarantees for Protecting the Dignity of

<sup>1</sup> Those rights in which “the population is the subject and not only the state; for which international rights can-

not be viewed as only an interstate right whose subjects are states, but rather, in which individuals forming the population are the beneficiaries of said rights” (Estrada, 2006: 253).

the Dying Individual (Law no. 127, 2010), in its article 5, provided a thorough definition of distinct terms, with their writers being aware of the limited clarity of the same, even by experts in the field.

In this work, in order to assess its contributions, we shall continue with the conceptualization made by P. Simón (2008) who considered that the term euthanasia should be limited to actions that:

- Cause the death of the patients, directly and through a unique and immediate cause-effect relationship;
- Are carried out by express, reiterated and informed request of the patients in a capacity situation;
- Are carried out in a situation of suffering, of “total pain”, produced by an incurable illness that the patient finds unacceptable and that cannot be relieved via other means;
- Are carried out by healthcare professionals, experts in patient feelings and with whom they maintain a significant clinical relationship (Simón, 2008).
- It is important to once again highlight that, in this definition any act that does not take place by express request of the individual may not be considered euthanasia (Montes *et al.*, 2012).

On the other hand, when discussing “physician-assisted suicide”, the three previous circumstances exist, however the action of the medical professionals is limited to only offering the means necessary so that the patient himself can produce the death (Simón, 2008). In short, the difference between these practices is that in euthanasia, the medical professional directly intervenes in the patient death whereas in physician-assisted suicide, it is the patient himself who ends his life using the means and indications provided by the physician.

Having presented the social importance of the topic at hand and having defined the two

practices that are the subject of our analysis, we find ourselves in a situation of presenting the objectives of this study. So, initially, our study is directed at measuring the support for these practices by the Spanish population, at the same time, contrasting it with the case in which significant differences are found in their opinions and attitudes regarding the regulation of these practices. If so, we shall attempt to determine which socio-demographic and contextual characteristics may assist in explaining the distinct support received by each of these practices, seeking not only to know the support received, but also to determine who offers said support. Finally, we shall interpret and discuss the results from a sociological perspective of civil republicanism and bioethics.

## MATERIALS AND METHODS

To offer an empirical foundation to this study, we have mainly relied on the data collected by the CIS in CIS study 2,803, *Atención a pacientes con enfermedad en fase terminal* (Attention to patients with illnesses in the terminal phase), from 2009<sup>2</sup>. In this study, a representative sample was interviewed from the national population, consisting of 2,481 individuals, with an equal percentage of men and women at 48.1% and 51.9% respectively, aged 18 and older.

First, from the original questionnaire, those questions (see Table 1) that most directly allowed us to analyze the position of citizens with respect to our general objective were selected. That is, those regarding regulation of both euthanasia (p. 37) and physician-assisted suicide (p. 38). These questions made up the empirical base of our dependent variables.

<sup>2</sup> Both the technical file of the study as well as the original copy of data and distinct tabulations are available at: [http://www.cis.es/cis/opencm/ES/1\\_encuestas/estudios/ver.jsp?estudio=9982](http://www.cis.es/cis/opencm/ES/1_encuestas/estudios/ver.jsp?estudio=9982)

**TABLE 1.** Questions from the questionnaire that lead to the dependent variables of the study

Selected questions	
Legalization practices	P. 37 Do you believe that in Spain, euthanasia should be regulated by the law?
	P. 38 (Do you believe that in Spain, it should be regulated by the law) And physician assisted suicide?

Source: Creation based on data from the Sociological Research Center, Spain, 2009. Study number: 2,803.

Second, a frequency and descriptive analysis was carried out for the socio-demographic and context variables that were susceptible to being used as independent variables, such as: gender, age, school attendance, studies of the interviewed individuals, work situation, self-positioning in religious regards, socio-economic status, ideology, political party voted for in the last general elections, civil state, autonomous community and habitat size.

Then, in order to appropriately introduce the variables in the analysis and to facilitate their interpretation with regards to the objectives of the study, we recoded some of the proposed independent variables (see Table 2).

Similarly, but in this case, so as to clearly identify the situations in which citizens reach a high level of agreement without indecision and in which there is greater uncertainty, due to ideological or moral reasons or even due to a lack of conceptual clarity, the dependent variables (regulation of euthanasia and regulation of physician-assisted suicide) were recoded. In this recoding, the favorable opinions were considered for both the regulation of euthanasia as well as that of physician-assisted suicide, in which there was no degree of confusion; that is, only those response categories of “yes, absolutely”, and, on the other hand, all other response categories were grouped together, including the cate-

gory of “I think so, but I’m not completely sure”. This methodological decision was made in order to minimize false positives, while aware that false negatives would surely be increased, given that in this second group, we have included those individuals who, while in favor, continued to have some doubts or reluctance. Ultimately, with this methodological strategy, when discussing the support of one practice or another in this work, the reader should be aware that this is with no doubt or room for interpretation, being faithful to the strong opinions of the citizens, which we consider to be a value in such a conceptually difficult and controversial social and political topic.

Having made said recordings of the variables used, we can verify whether or not the proportion of individuals selecting one position or another (agreement without ambiguity – all others) both for the case of euthanasia as well as physician-assisted suicide, significantly differ from one another based on the previously mentioned socio-demographic variables. In this way, given that all of the independent variables have a significance level of less than 0.05, we believe that it is opportune to include them, with no exceptions, in our analysis.

Contingency tables were created with their respective statistical tests, in order to view, in a bivariate manner, the association

**TABLE 2.** *Recoding of the Independent variables*

Variable	Recoded variable	Why?
School attendance (1)	- Yes - No	The consideration of recoding is carried out in order to group together, on the one hand, those attending school and, on the other hand, those who, regardless of being literate, did not attend.
Religious area (2)	- Catholic - Non-Catholic - Non-religious	The consideration of recoding is carried out in order to clearly establish, on the one hand, the followers of the Catholic religion, mainly in our society, and, on the other hand, to clearly define those individuals who are not religious.
Ideological scale (3)	- Left - Center-Left - Center - Center-Right - Right - PP - PSOE	The consideration of recoding was carried out in order to precisely establish the ideological positions in which the population is situated.
Political party voted for in the last general elections (4)	- IU - Other Parties - Blank votes	The consideration of recoding is carried out to establish the bipartisan tradition of Spanish society, although today this tradition is coming to an end.
Autonomous Community (5)	- With LDGPPM - Without LDGPPM	The consideration of recoding is carried out to establish whether or not differences exist between those communities having LDGPPM and those that do not.

\*1 P. 55: Have you gone to school or undertaken any type of studies? -No, he/she is illiterate; -No, but he/she knows how to read and write; -Yes, he/she has gone to school.

\*2 P. 47: How would you define yourself in terms of religion? Catholic, follower of other religion, non-follower or atheist? - Catholic; -Follower of another religion; -Non-follower; -Atheist.

\*3 P. 46: When discussing politics, normally the expressions left and right are used. In this card, there is a series of boxes going from the left to the right. In which box would you place yourself? -1, 2, 3, 4, 5, 6, 7, 8, 9, 10.

\*4 P. 52<sup>a</sup>: And can you tell me which party or coalition you voted for? -PSOE; -PP; -IU; -CiU; -PNV; -UPyD; -ERC; -BNG; -CC; -NaBai; -Other parties; -Blank.

\*5 Option completed by the interviewer.

Source: Author's creation.

between variables and, then, the hierarchical segmentation technique was used. The objective of this technique was to explore the sociodemographic characteristics of the survey respondents who were more discriminating in their positioning, in one way or another, with regards to the regulation of euthanasia and physician-assisted suicide.

To expand upon the phenomenon of the right to die and while conducting our analy-

sis, we found it interesting to create a new variable which we refer to as “the right to die” and which includes two categories: 1) made up of the sum of those individuals who advocate for the regulation of both rights to die and those others who are against both of these (a category that we have labeled “coherents”) and 2) that made up of those who are, with no reservations, in favor of one of the two practices but not in favor of the other (which we have called “dissonants”).



In this case, and considering that, again, all of the socio-demographic variables used in the bivariate analysis obtained a significance level of less than 0.05, we once again carried out the previous process; that is, we used hierarchical segmentation, although this time, the dependent variable used was the new variable created: “rights to die” (*coherents* and *dissonants*).

## RESULTS

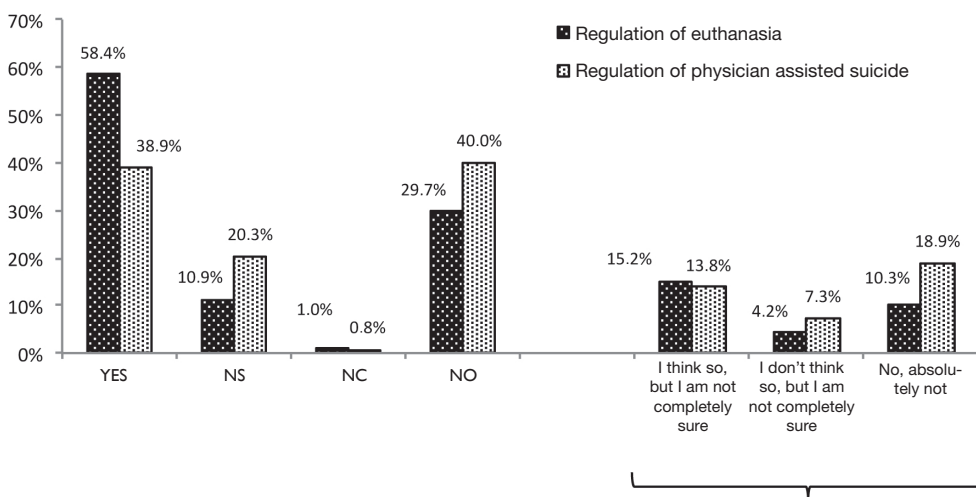
The first result of interest was to verify, once again, that the Spanish population greatly supports (in the case at hand, we may say this with great certainty) both the regulation of euthanasia, as well as that of physician-assisted suicide (see Graph 1). In the case of euthanasia, the favorable posture is clearly the predominant one, and, in the case of physician-assisted suicide, the “yes, absolutely”, while not predominating, is quite considerable, even more so than the other category “no”, as stated in the previous section, which includes both those who are more or

less firm in their position of “no” as well as those having a more favorable position regarding the legalization, although they may not be fully certain of their position (the “No” option is the sum of the “no, absolutely not”, “I think so but I’m not completely sure” and “I don’t think so but I’m not completely sure”).

From this first graph we shall highlight three results that we believe to be significant: a) that there is considerable support from the Spanish population over the age of 18 for both of the *rights to die*; b) that this support differs according to the practice or right that is referred to (with 20 percentage points more support in the case of the regulation of euthanasia) and c) that, in the case of physician-assisted suicide, the responses contained within the category “n.s” are double the amount of those for the other practice that is considered.

In light of these results, the second objective of this study should be considered. Thus, we should respond to the following questions: what elements characterize those individuals who support or defend each

**GRAPH 1.** *Opinion of the Spanish population with regards to the rights to die*



Source: Author’s creation based on data from the Sociological Research Center, Spain, 2009. National survey, 2,481 interviews of a population over the age of 18. Study number: 2,803.

of these *rights to die*?, can we find socio-demographic differences between these groups? In short, what characteristics may be related to the support of the Spanish society to the regulation of one practice or another? This is relevant, given that, although when speaking of the *rights to die*, in general, we include both practices, however, the data shows that in Spain, these practices do not have the same social consideration or degree of support.

With this objective in mind, contingency tables were created for the two dependent variables considered and for all of the socio-demographic variables. This first descriptive analysis offers us three results that should be noted and that are relevant for our objectives:

- 1) Certain socio-demographic traits are statistically associated with and characterize the individuals who, generally speaking, support both *rights to die* (see Table 3).
- 2) Even though virtually the same socio-demographic characteristics define both groups, it is clearly observed that the support for the physician-assisted suicide group is considerably lower in each of the socio-demographic variables making up this profile (see Table 4).
- 3) For each variable, a large number of individuals are found to be positioned in the category of "n.s." in the case of physician-assisted suicide.

On the other hand, beyond specifying the characteristics that are mainly associated

with both groups, in our attempt to delve further in the analysis, hierarchical segmentation was conducted so that "given a population of elements, it is possible to identify homogenous subgroups with regards to specific characteristics" (Luque, 2000: 347). That is, to use "a set of techniques or algorithms that, with regards to the variable to be explained, pursue the formation of homogenous groups, based on the sequentially initial group with respect to this variable that is being explained by other independent or explanatory variables" (Luque, 2000: 348).

Therefore, continuing with this presentation of results, we shall continue to reveal the main results obtained for each of these initial hierarchical segmentation trees (see graph 2 and 3).

Despite the clarity and explanatory power of these graphs, we believe that it is interesting to present some of the results found. It should be noted that, in the first of the hierarchical segmentation trees (graph 2) the first variable that was discriminated in terms of the positioning of Spanish society with regards to the regulation of euthanasia is the self-positioning with regards to *religious issues*. In this first node, it is important to consider that, even amongst those individuals who consider themselves to be Catholic, the "yes" to the regulation of this practice is the most predominant option (52.2%); however, non-religious individuals (*node 2*) have a higher percentage of support for its legalization, that is, for the "yes" (82.9%). And finally, even

**TABLE 3.** *Socio-demographic characteristics of individuals favoring the regulation of rights to die*

- Male	- Voters of leftist parties
- Adult-Young adult	- New middle class
- More than secondary studies	- Divorced
- Not religious	- Residents of autonomous communities without Rights to die and guarantees of dignity of dying person
- Leftist ideology	- Residents in habitats of over 1,000,000 inhabitants

Source: Author's creation based on data from the Sociological Research Center, Spain, 2009. National survey, 2,481 interviews of a population over the age of 18. Study number: 2,803.



**TABLE 4.** *Characteristics of the population in favor of the regulation of rights to die (%)*

		Regulation of euthanasia	Regulation of assisted suicide
Gender	Male	62.2%	41.1%
	Female	54.8%	36.6%
Age	18 – 29	64.2%	43.2%
	30 – 44	67.9%	48.9%
	45 – 64	58.4%	38.6%
	65 and +	37.9%	19.6%
School attendance	Yes school	60.2%	40.5%
	No school	28.3%	13%
Studies	No studies	31.1%	14.3%
	Primary	53.7%	33.4%
	Secondary	64.8%	42.8%
	Vocational education	71.6%	51.8%
	Middle University	64.1%	45.3%
	Higher	69%	54.8%
Work status	Employed	65.4%	45.7%
	Retired (has worked previously)	46.9%	25.6%
	Pensioner (not worked previously)	27.8%	19.6%
	Unemployed and has worked previously	64.8%	43.3%
	Unemployed and seeking first job	57.1%	21.4%
	Student	67%	46%
	Unpaid domestic work	49%	33.7%
	Other situation	76.9%	53.8%
Socio-Economic Status	Upper/middle-upper class	66.3%	48.8%
	New middle class	68%	48.9%
	Old middle class	47.6%	28.3%
	Qualified workers	58.5%	39.1%
	Unqualified workers	48.6%	26.7%
Religion	Catholic	52.3%	33.6%
	Not Catholic	37.5%	25.9%
	Not religious	82.9%	59.3%
Ideological scale	Left	82.8%	61.7%
	Center-Left	71.7%	50.3%
	Center	57.8%	37.8%
	Center-Right	48.8%	29.3%
	Right	46%	26%
Last political party voted for	PSOE	67.50%	47%
	PP	50.5%	31.3%
	IU	70.4%	52.1%
	Other parties	70.9%	46.3%
	Blank	70.5%	47.7%

**TABLE 4.** Characteristics of the population in favor of the regulation of rights to die (%) (Continued)

		Regulation of euthanasia	Regulation of assisted suicide
Civil state	Married	55.1%	35.6%
	Single	67.7%	48.6%
	Widow/Widower	36.8%	20.5%
	Separated	71.4%	39.3%
	Divorced	72.9%	52.9%
LDGPPM	With LDGPPM	54.3%	35.3%
	Without LDGPPM	60%	40.3%
Habitat size	< 2,000	44.3%	27.2%
	2,001 - 10,000	56.5%	35.5%
	10,001 - 50,000	59.4%	38.7%
	50,001 - 100,000	56.6%	38.3%
	100,001 - 400,000	58.5%	39.2%
	400,001 - 1,000,000	57.8%	41%
	> 1.000.000	69.5%	50.4%

Source: Author's creation based on data from the Sociological Research Center, Spain, 2009. National survey, 2,481 interviews of a population over the age of 18. Study number: 2,803.

though the “no” has a greater percentage amongst the non-Catholic religious (*node 3*), this option is not far from its opposing group (39.3% as compared to 37.5%), with the option “n.s.” also receiving a high percentage (23.2%).

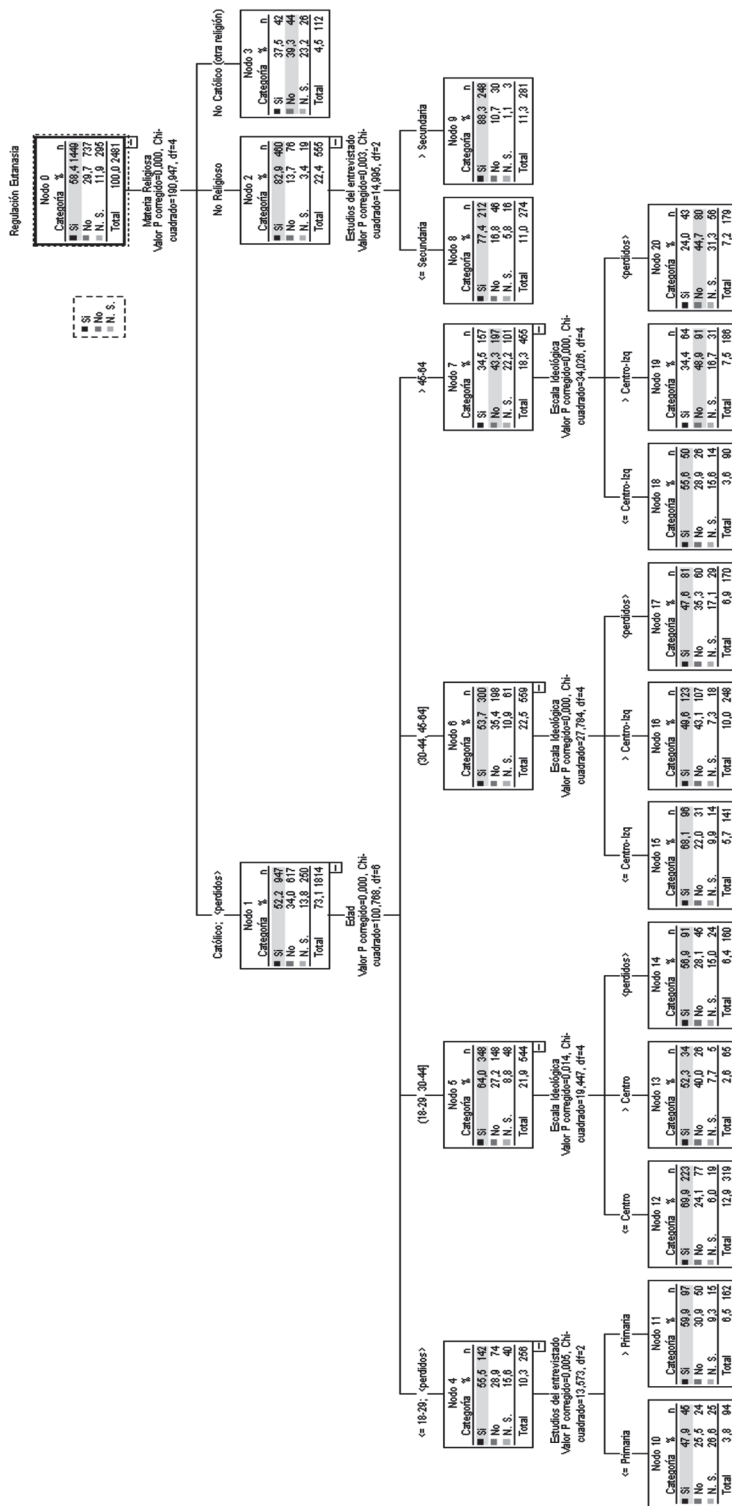
In the second level, the variable that discriminates the most frequently in the analysis is different for Catholics and for the non-religious. For the former, there is the group of the age of the interviewee, finding that the older the Catholics, the less support for the legalization of euthanasia, such that amongst those over the age of 64, the option “no” is the most frequent, with an opposing position expressed by the youngest. For the non-religious, the second most important variable, that which discriminates the most, is not age but, rather, level of studies, with those having lower studies than secondary education revealing a support of the “yes” some eleven percentage points less than those having a minimum of secondary studies. It is interesting to note that in the case of Catholics, the variable that discriminates the most is an

attached variable (age), whereas for non-Catholics, it is an acquired variable (education).

Following this expository line and lowering to the third level of analysis of segmentation, we observe that the discriminatory variable between the youngest Catholics (*node 4*) differs from that of the other Catholics (*nodes 5, 6 and 7*). It is interesting to note, on the one hand, how the percentage of the youngest Catholics having studies that are equal to or less than primary school (*node 10*) increases for the category “n.s.” (26.6%); and on the other hand, how in this third level, only the group of older Catholics with a centrist, centrist-right or right ideology (*node 19*), predominantly holds a position against the legalization of euthanasia (48.9%).

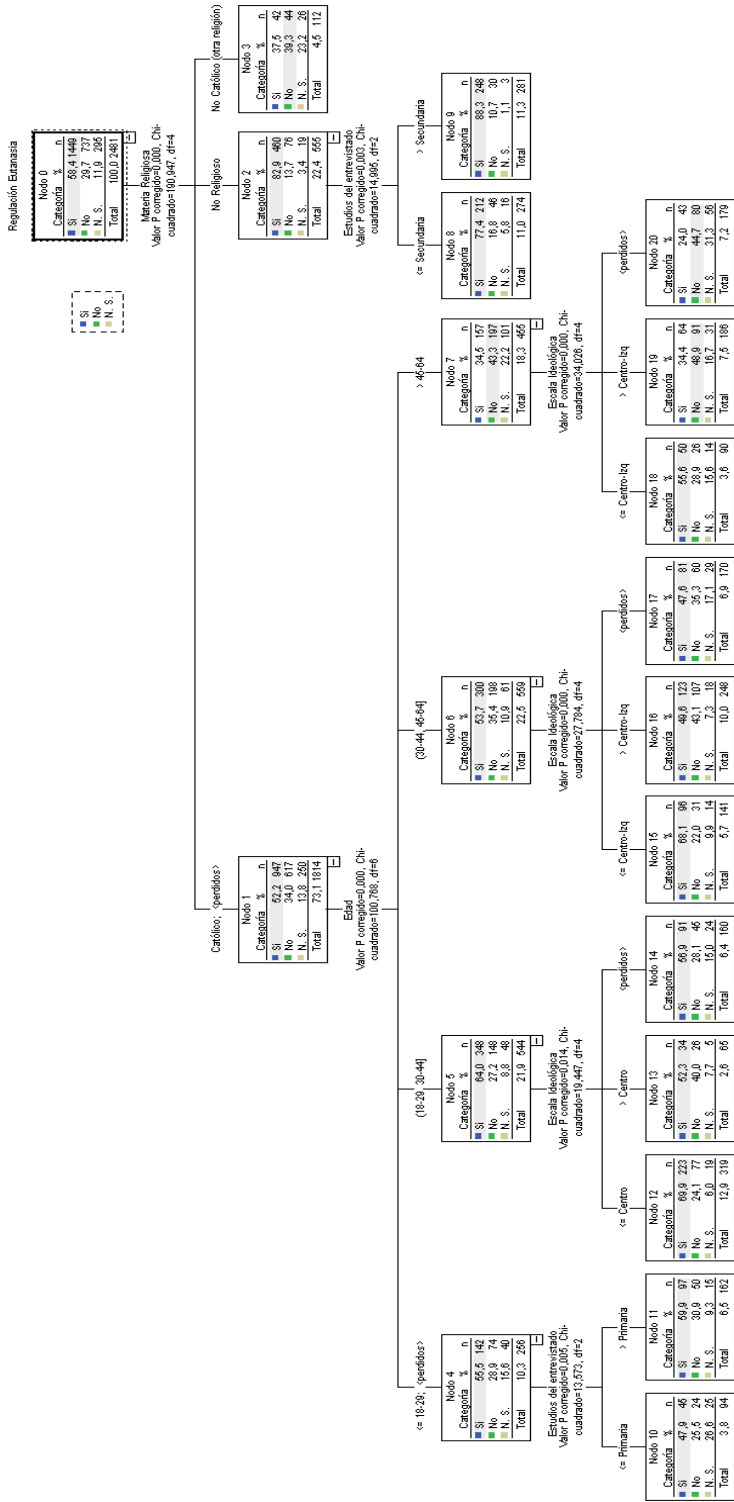
For the second of the segmentation trees that we present here (having the dependent variable of the legalization of physician assisted suicide, Graph 3) the first thing to take into account, even before signaling the variables

**GRAPH 2.** Hierarchical segmentation tree with dependent variables regulation of euthanasia



Source: Author's creation based on data from the Sociological Research Center, Spain, 2009. National survey, 2,481 interviews of a population over the age of 18. Study number: 2,803.

**GRAPH 3.** Hierarchical segmentation tree with dependent variables regulation of physician assisted suicide



Source: Author's creation based on data from the Sociological Research Center, Spain, 2009. National survey, 2,481 interviews of a population over the age of 18. Study number: 2,803.

that that discriminate the most, is that, as mentioned above, more than one fifth of the population is situated in the “n.s.” (21.1%) category. Having said this, we can observe that the first variable entering in the discrimination analysis is none other than the level of studies completed by the interviewee, revealing a strong division between those having no more than primary studies (who are predominantly against legalization) and those having more than secondary studies (who tend to support legalization), with those having primary or secondary studies being the most divided (almost half and half). It is important to also note that, the greater the level of education of the interviewee, the lower the percentage of those stating that they do not know.

In a second level of analysis, the variables that enter are the ideological self-positioning (both for the group having the greatest level of studies as well as for the groups with less education) and the *civil state* for the group that was the most divided in its support of the legalization of physician-assisted suicide (those having primary or secondary studies).

Ideological self-positioning operates in the same sense for both the group with the least studies as in the groups with more than secondary studies: the more to the left the self-positioning, the greater the support for the legalization. In the intermediate group, civil state is divided into two groups: single, separated and divorced, with a clear support for the “yes”, and the married and widowed, with a clear support for the “no”.

In the third level of the hierarchical segmentation tree, age is the variable that discriminates in all cases, except in the case whose education surpasses secondary studies and who self-position themselves ideologically to the right, between those whose discriminating variable in this third level is their work situation, making only two groups (*nodes 19 and 20*), that made up of students, workers and unemployed individuals who

worked previously, of which the majority support the “yes”, and the group made up of pensioners, the retired, unpaid domestic workers and those in other situations, of which the majority support the “no”.

Following the plan of analysis described in the previous section, the following results to be considered are the data obtained, using the same method, for the *right to die* variable which fundamentally discriminates between the population supporting or rejecting both *rights to die* and the other that demonstrates its support for one of these but not the other, whichever of these (see graph 4).

From this third tree of hierarchical segmentation, it is important to highlight certain questions. First, that a large majority of the population falls within the group that we have previously defined as *coherents* (78.1%), that is, they clearly support or oppose the rights to die regardless of the practice used; as compared to the group of *dissonants* (21.9%). It confirms that a large majority of the surveyed population has a strong belief regarding whether or not these practices should be regulated regardless of the specificity of the same. Second, and in plain sight, it is seen that the majority of the surveyed population has the option of not supporting any of the practices that are considered in the work (40.4%). However, in a third phase, we should note that in the face of this rejection of the regulation of both *rights to die*, some 59.6% of the population supports at least one of these, with the majority supporting euthanasia.

Going down this hierarchical segmentation tree, the next thing that we are going to find is that the “religion” variable is the most segregated; we find that the Catholic population (*node 1*) is mainly situated in the category “no/no” (46.6%) whereas those who define themselves as non-religious (*node 2*), on the other hand, tend to defend the regulation of both *rights to die* (57.8%). Before continuing, it is possible to digress, observing the clear

preference of individuals for the regulation of euthanasia as compared to the regulation of physician assisted suicide, cautioning that, within the *dissonant* group, the “yes/no” category greatly exceeds the “no/yes” category in all of the resulting nodes.

Going down to the second line, where we find the next variable having the greatest weight, curiously, the same thing happens as in the case of the regulation of euthanasia (see Graph 2); that is, on the one hand, while in the group of Catholics (*node 1*) there is an ascribed variable (*age*), in the non-religious group (*node 2*) the variable is acquired (*the studies of the interviewed individual*). Within the Catholic population, we see that as they age, the percentage of individuals within the “no/no” category (37.4%, 44.7% and 65.3% respectively) increases, just as the percentages of the category supporting both *rights to die* (40.2%, 33.5% and 17.1% respectively) decreases. If we focus on the non-religious group, despite the fact that in all nodes making up the “yes/yes” category, it is clearly seen how this percentage increases as the educational level increases. Thus, this percentage in those with an education level that is less than primary studies is 47.8%, while for those having primary to middle university level studies it is 57.6% and reaches 74.6% for those having more than middle university level studies, falling consequentially, the individuals situated in the “no/no” category.

Finally, in the group made up of Catholics, the third variable having the most discriminatory power is that of “ideological scale”. It is interesting to note that for the groups made up of subjects situated ideologically to the right, the predominant option shall always coincide with the “no/no” category, with an increase in age of the individual being related to an increase disagreement with the regulation of both *rights to die*. However, we should note that for individuals situated to the left and center-left, who are over the age of 65 and consider themselves Catholic (*node 14*), the predominant option continues to be the

category that advocates no regulation of these practices.

## DISCUSSION AND CONCLUSIONS

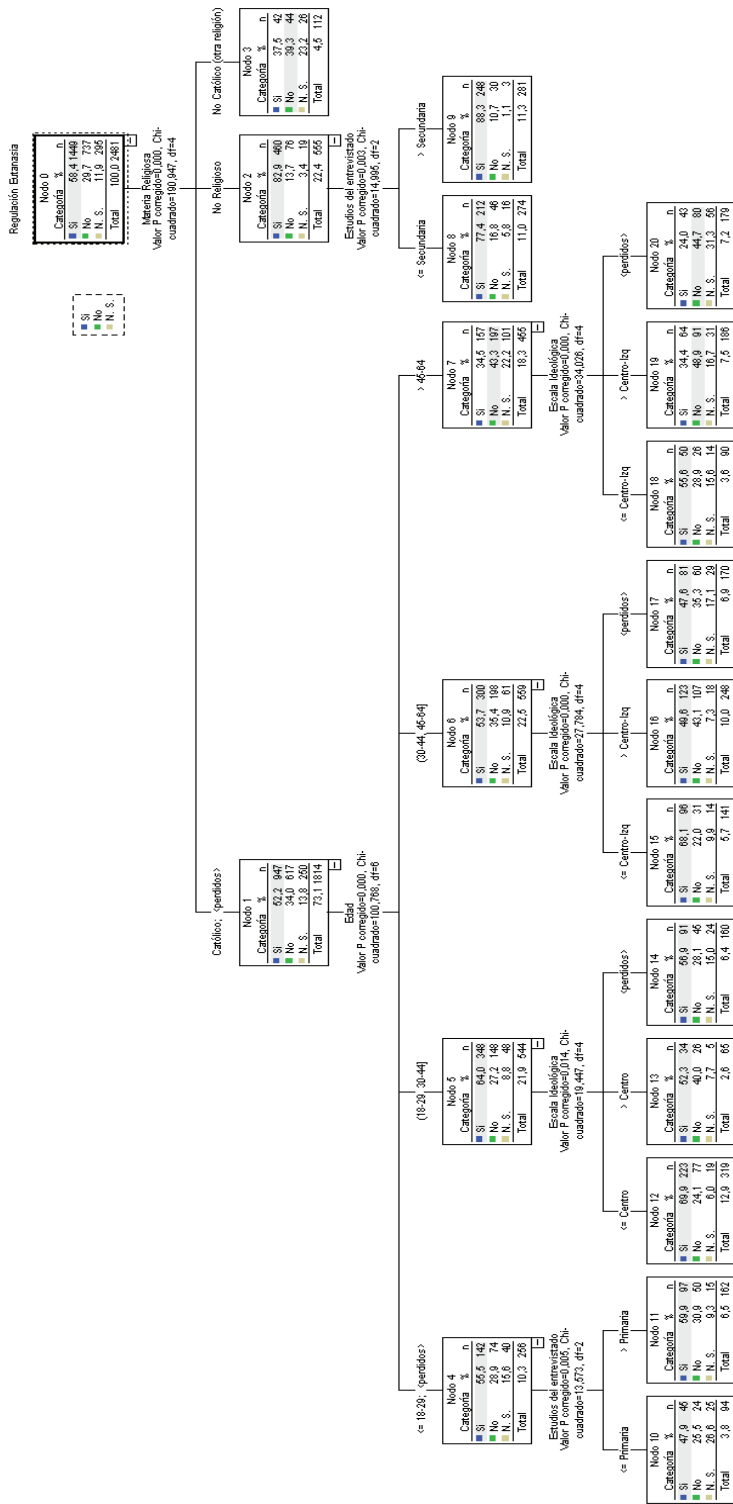
Once again, the empirical information that was analyzed confirms that the Spanish population is predominantly in favor of having the right to control one’s life during the process of dying, with a clear majority of the population opting for the legalization of at least one of the practices with which they are provided the opportunity to legally end their lives when in controlled and irreversible situations of total pain. However, the two practices that are analyzed in this work are perceived to be distinct and therefore, do not receive the same support from the Spanish society, although those that support them have a similar profile.

Curiously, it is euthanasia that receives more support from our society, although this may be difficult to explain, given that analytically speaking, there is a fine line that separates this practice from physician-assisted suicide. Casually speaking, the difference relates to the individual that ultimately performs the action, either the patient or another individual, in this case, the physician.

From a logical-moral and even a legal-formal perspective, it appears to be easier to justify physician-assisted suicide as opposed to euthanasia. First, because in the action, the second individual does not directly intervene and second, because suicide is not currently an illegal act (in fact, neither is the withdrawing of treatment upon the explicit request of a patient over the age of 16, even when said removal leads to death). It is true, as Frey R. G. argued, that the right to not receive treatment does not imply the right to be provided with the means to die (1998: 63), thus it is not the same to eliminate or not administer assistance, as to facilitate it with the purpose of the patient using it to end their life. Similarly, and in the same logical-moral sense, it is not the same to facilitate a means for an individual to



**GRAPH 4.** Hierarchical segmentation tree with dependent variable rights to die



Source: Author's creation based on data from the Sociological Research Center, Spain, 2009. National survey, 2,481 interviews of a population over the age of 18. Study number: 2.803.

end their life, given certain circumstances (physician assisted suicide), as to cause the death of the same even upon repeated request and under the circumstances described in the introduction (euthanasia).

In Spain however, the data reveals a greater support by the adult population for euthanasia as opposed to physician assisted suicide, and not because the profile of those supporting one practice or another are very different, but rather, because the latter appears to generate more doubts: the debate surrounding the same is perhaps less mature, less explicit, more influenced by cultural *a priori*s that are far from any logical reasoning, empirically reflected in the data in the very substantial increase in those that do not know. This appears to be related to a more cultural than rational issue. In fact, in other more liberal societies, it does not operate in the same manner, in which the justification or legalization of one of these practices would support physician assisted suicide, as is the case in the state of Oregon (De Miguel and López, 2006), given that the supra-individual institutions (either the state or religion) adhere more to the individual freedoms.

Suicide in general, in societies such as ours with a Judo-Christian tradition, is culturally illegal and almost anathema, even after the boom of psychiatry in the 19<sup>th</sup> century which ended the consideration of suicide as a sin and converting it into a mental illness. The implicit moral judgment based on Christian theology remains intact (Critchley, 2016: 15). Historically, suicide has been considered an “extraordinary form of social transgression, something irrational and an insult to the gods, even in societies in which the murder of newborns, foreigners, enemies and slaves is readily accepted” (Bok, 1998: 112). “Aristotle, for example, took for granted the need for infanticide in the case of deformed children, but he considered suicide to be unjustified except when ordered by the state” (Bok, 1998: 114). It is only from this tradition that is imposed by the state and the gods on

individual freedoms from which it is possible to understand the greater support for the legalization of euthanasia as compared to physician assisted suicide. This imparts sense to the fact that, in the analyzed empirical reality, it is in the support of physician-assisted suicide where education level is the most determinant variable, above ideological or even religious beliefs.

It is also this cultural alteration in the logical-moral order of the analyzed practices that makes us consider the Belgian model as the most plausible legalization model from the social support perspective and the current opinion of Spanish society (Molina and Serrano, 2014). All of this allows us to venture that the right to die shall not be promoted if the movements that support it do not forego physician-assisted suicide, at least at a preliminary level, and begin to only promote the legalization of euthanasia, given that this will make it easier to receive citizen support. We can clearly contrast this in the hierarchical segmentation tree that is presented here, in which the No-No position (No euthanasia, No PAS) was greater than the Yes-Yes position but was inferior to the sum of these latter plus the Yes-No (that is, those that only support euthanasia but never, at least at this point in time, shall support physician assisted suicide).

Furthermore, the position opposing the legalization of euthanasia is explained, as occurs in other European countries (Cohen *et al.*, 2006: 753), first by religion, but only in the most elderly, therefore suggesting that this may be a cohort effect (Hamil-Luker and Smith, 1998) and shall not be a cause of the opposition of its legalization with the passage of time. On the other hand, in the case of physician assisted suicide (a phenomenon about which we have much less information) the grounds supporting the *no* are much more ethereal, more similar to the cultural tradition and, therefore, may only be overcome with an increase in education, making it slower and more difficult to achieve.

## BIBLIOGRAPHY

- Abellán, Antonio and Pujol, Rogelio (2015). *Un perfil de las personas mayores en España, 2015. Indicadores estadísticos básicos*. Madrid: Informes Envejecimiento en red, 10.
- Aguiar, Fernando; Cerrillo, José A. and Serrano, Rafael (2016). “¿Elegir la propia muerte?: Identidad, autonomía y buena muerte en España”. In: Triviño Caballero, R. and Rodríguez-Arias, D. (eds.). *Cuestiones de vida y muerte. Perspectivas éticas y jurídicas en torno al nacer y el morir*. Madrid: Plaza y Valdés.
- Aguiar, Fernando; Serrano, Rafael and Sesma, Dolores (2009). “Eutanasia y suicidio asistido: Un debate necesario”. *Policy Papers*, 3: 1-12.
- Bok, Sissela (1998). “Escoger la muerte y quitar la vida”. In: Dworkin, G.; Frey, R. G. and Bok, S. *La eutanasia y el auxilio médico al suicidio*. Cambridge: Cambridge University Press.
- Blanco, Ángela (2013). *Ensayos sobre los factores que impulsan el gasto sanitario público*. Madrid: Universidad Complutense de Madrid. Available at: <http://eprints.ucm.es/20867/1/T34400.pdf>. [Doctoral Thesis].
- Centro de Investigaciones Sociológicas (CIS) (2009). *Atención a pacientes con enfermedades en fase terminal: Study 2,803*. Madrid: CIS.
- Cerrillo, José A. and Serrano, Rafael (2010). *Una aproximación a los discursos de los andaluces ante la calidad en el morir*. Andalucía, Córdoba: Instituto de Estudios Sociales Avanzados (IESA-CSIC).
- Cohen, Joachim *et al.* (2006). “European Public Acceptance of Euthanasia: Socio-demographic and Cultural Factors Associated with the Acceptance of Euthanasia in 33 European Countries”. *Social Sciences and Medicine*, 63(3): 743-756.
- Critchley, Simon (2016). *Apuntes sobre el suicidio*. Barcelona: Alpha Decay.
- De Miguel, Jesús M. and Marí-Klose, Marga (2000). “El canon de la muerte”. *Política y Sociedad*, 35: 113-143.
- Durán, M. Ángeles (2004). “La calidad de muerte como componente de la calidad de vida”. *Revista Española de Investigaciones Sociológicas*, 106(1): 9-32 .
- Durán, M. Ángeles (2007). “Los derechos de salida”. In: Aramayo, R. R. and Ausin, T. (eds.). *Interdependencia. El bienestar como requisito de la dignidad* [CD-ROM]. San Sebastián: II Academic meeting of Moral, Science and Society.
- Estrada, Elías (2006). “Derechos de tercera generación”. *Podium Notarial*, 34: 249-257.
- Hamil-Luker, Jenifer and Smith, Christian (1998). “Religious Authority and Public Opinions on the Right to Die”. *Sociology of Religions*, 59(4): 373-391.
- Ley Orgánica 2/2010, de 8 de abril, sobre Derechos y Garantías de la Dignidad de las Personas en el Proceso de la Muerte. *Boletín Oficial del Estado*, 127 (may 25, 2010).
- Luque, Teodoro (2000). “Segmentación jerárquica”. In: Luque Martínez, T. (coord.). *Técnicas de análisis de datos en investigación de mercados*. Madrid: Ediciones Pirámide.
- Miguel, Cristina de and López, Andrés (2006). “Eutanasia y suicidio asistido. Conceptos generales, situación legal en Europa, Oregon y Australia (I)”. *Medicina Paliativa*, 13(4): 207-215.
- Molina, M. Ángeles and Serrano, Rafael (2014). “Regulación de la eutanasia y el suicidio asistido en España. ¿Hacia qué modelo se dirige la opinión pública?”. *Arbor*, 190(769): 10.
- Montes, Luis *et al.* (2012). *Qué hacemos por una muerte digna*. Madrid: Akal.
- Palacios, Marcelo (2009). *Soy mi dignidad. Eutanasia y el suicidio asistido*. London: LibrosEnRed.
- Simón, Pablo *et al.* (2008). “Ética y muerte digna: Propuesta de consenso sobre un uso correcto de las palabras”. *Revista de Calidad Asistencial*, 23(6): 271-285.
- Soberón, Guillermo and Feinholz, Dafna (2008). *Muerte digna. Una oportunidad real*. México, D.F.: Comisión Nacional de Bioética.

**RECEPTION:** October 4, 2016

**REVIEW:** January 10, 2017

**ACCEPTANCE:** May 29, 2017

# Actitudes de los españoles ante la eutanasia y el suicidio médico asistido

*Spanish Attitudes Towards Euthanasia and Physician-assisted Suicide*

**Rafael Serrano del Rosal y Adrián Heredia Cerro**

## Palabras clave

- Bioética
- Características sociodemográficas
- Derechos de salida
- Eutanasia
- Muerte
- Suicidio médicamente asistido

## Key words

- Bioethics
- Sociodemographic Characteristics
- Exit Fees
- Euthanasia
- Death
- Physician-Assisted Suicide

## Resumen

Este trabajo aborda el proceso de morir y la muerte como un hecho social de primer orden. Sobre dicho proceso y lo que sería una buena muerte existe un ideal socialmente compartido que, en la actualidad, se está en condiciones de alcanzar y del que, sin embargo, la realidad política y jurídica se aleja. En este contexto nos planteamos como objetivos, en primer lugar, medir el apoyo que tienen dos prácticas, como son la eutanasia y el suicidio médico asistido (SMA). En segundo lugar, contrastar si hay diferencias significativas en las opiniones y actitudes de los españoles respecto a su regulación y cuáles son las características sociodemográficas y contextuales que pudieran ayudarnos a explicarlas y, por último, interpretar y discutir los resultados desde una perspectiva sociológica que bebe del republicanismo cívico y la bioética.

## Abstract

This study examines the process of dying and considers death as an important social reality. Currently, a socially-shared ideal exists regarding this process and what would ultimately be considered a good death. This ideal is attainable, however, empirically and legally, it is not realistic. Along these lines, we have established an initial objective of measuring the support for two practices that could potentially help achieve the so-called "exit fees": euthanasia and physician-assisted suicide. Second, we test whether or not there are significant differences in the opinions and attitudes of Spaniards regarding their regulation and we examine the sociodemographic and contextual characteristics that could possibly help to explain these practices. And, finally, we interpret and discuss the empirical results from a sociological perspective, based on civic republicanism and bioethics.

## Cómo citar

Serrano del Rosal, Rafael y Heredia Cerro, Adrián (2018). «Actitudes de los españoles ante la eutanasia y el suicidio médico asistido». *Revista Española de Investigaciones Sociológicas*, 161: 103-120. (<http://dx.doi.org/10.5477/cis/reis.161.103>)

La versión en inglés de este artículo puede consultarse en <http://reis.cis.es>

**Rafael Serrano del Rosal:** Instituto de Estudios Sociales Avanzados (CSIC) | [rserrano@iesa.csic.es](mailto:rserrano@iesa.csic.es)  
**Adrián Heredia Cerro:** Universidad de Granada | [adrianherediac@outlook.com](mailto:adrianherediac@outlook.com)

## INTRODUCCIÓN

El proceso de morir no es solo un acontecimiento biológico, bien al contrario es también un hecho social de primer orden que, aun siendo irremediable, cierto, seguro..., ha ido configurando a lo largo del tiempo modos de actuar, pensar y sentir diferentes, que van más allá del individuo y que poseen un poder de coacción que se le impone. En este sentido, cuando se habla del derecho a morir, lo que realmente se quiere expresar no es, en sí mismo, el derecho a que tal hecho acontezca, sino más bien el derecho a morir dignamente (Soberon y Feinholz, 2008); esto es, al cómo morir, a dignificar el proceso de muerte, a que este se produzca desde el mismo concepto de autonomía y libertad que ha regido la propia vida, ya que el proceso de muerte no es algo ajeno o diferente a la propia vida, sino solo su última parte.

El envejecimiento de la sociedad es un hecho indiscutible y generalizado en las sociedades occidentales desarrolladas (Abellán y Pujol, 2015), un proceso que, lejos de haber alcanzado su punto álgido, sigue expandiéndose, siendo así que, al tiempo que se posterga el momento de la muerte, el proceso de morir se hace más largo, menos accidental, más controlado y controlable médicamente. De hecho, como bien expone A. Blanco, la mayor concentración de gasto sanitario por persona se produce en los últimos años de vida, subiendo especialmente a partir de los 75 años (Blanco, 2012). Conocida esta realidad, situarse en una posición que niegue la muerte, que no la afronte como algo real y cierto, que no la estudie en su contexto social y que trate de apartarla, ocultándola, no socializando en ella, es una postura ridícula y poco efectiva socialmente. Sin embargo, la muerte, el proceso de morir, sigue siendo en las sociedades occidentales contemporáneas un proceso en parte invisible, ajeno, poco conocido, casi repudiado. En nuestra sociedad, «estar muerto es una anomalía impensable. No hay lugar, ni espa-

cio/tiempo asignado a los muertos/as» (Marí-Klose y De Miguel, 2000: 116); esto no es sino estar dando la espalda a la realidad que nos ha tocado vivir.

Es dicha negación de la muerte lo que hace aún más complejo plantear reflexiones y análisis serios, analíticos, de base empírica, sobre un acontecimiento social capaz de afectar a la totalidad de la población, sin presentar ningún tipo de discriminación en su final, sin excepciones. La muerte es, de este modo, uno de los escasos hechos sociales que se presenta como inevitable, irrepetible e irreversible. Entendido en términos estadísticos, este acontecimiento se presenta siempre con probabilidad uno.

Sin intención alguna de negar en este trabajo la dimensión individual y biológica de la muerte, lo cierto es que consideramos que solo atendiendo a su dimensión social podremos analizar de forma completa este hecho, que también es social y, en cierto modo, normativamente compartido, como así lo refleja, por ejemplo, lo que P. Marí-Klose y J. De Miguel (2000) llamaron *el canon de la muerte*, esto es, «un modelo idealizado de muerte, la forma en que la mayoría de las personas anticipan su muerte [...] los deseos explícitos de las personas sanas sobre su propia muerte» (Marí-Klose y De Miguel, 2000: 117). Estos deseos se refieren, en sentido genérico, a morir: a) sin dolor; b) durmiendo o inconsciente; c) de forma rápida; d) rodeado de nuestros seres queridos; e) en edad avanzada; f) en casa (Marí-Klose y De Miguel, 2000). En esta idea socialmente compartida de lo que sería una buena muerte hay al menos dos elementos que queremos destacar: el primero de ellos, es que es una idea contradictoria en sí misma, puesto que «difícilmente se puede morir en casa y rodeado de los seres queridos y, al mismo tiempo, durmiendo y súbitamente [...]. Esta incompatibilidad entre los elementos del canon [es] otra muestra de lo poco que nuestra sociedad piensa en la muerte» (Cerrillo y Serrano, 2010: 13); y, en segundo lugar, que el

ideal de acabar rodeado de nuestros seres queridos o, acompañado, «puede interpretarse como un rechazo de la llamada “muerte social”, que tan a menudo precede a la muerte física y que origina abandono y soledad» (Durán, 2004: 20).

Conocido todo lo antedicho, cabría preguntarse si actualmente estamos en condiciones de acercarnos lo más posible a ese ideal o *canon de la muerte*, es decir, de abordar el proceso de nuestra muerte sin desprendernos de nosotros mismos, de cómo hemos tratado de vivir, de nuestra propia dignidad. Diferentes autores ponen de manifiesto que en la sociedad en la que vivimos y, en nuestro contexto específico, los «modernos sistemas sanitarios están en condiciones, pues, de acercarse al ideal de una buena muerte, humanizando de esta forma el proceso de morir» (Aguiar *et al.*, 2009: 1). Sin embargo, el desarrollo de las tecnologías médicas ha propiciado un alargamiento de la existencia que no se ha acompañado necesariamente de calidad. «Hemos conseguido añadir más tiempo a la vida, pero no más vida al tiempo» (Montes *et al.*, 2012: 8), es decir, no hemos conseguido, al menos, en el proceso de muerte, que el muriente preserve su dignidad: que siga siendo autónomo y libre para elegir, siempre que sea posible, cómo desea salir (Aguiar *et al.*, 2009).

«La universalidad del fenómeno de la muerte trasciende al entorno del individuo» (Soberon y Feinholz, 2008: 237), por tanto, consideramos que no solo es lícito, sino necesario, conocer y abordar desde la sociología estas situaciones, más aún cuando en los lugares donde se han regulado, como Bélgica, Holanda o el estado de Oregón, no se ha regulado ni de la misma forma, ni las mismas prácticas (Molina y Serrano, 2014).

Considerando entonces la muerte, y todo aquello que la acompaña, como un hecho social respecto al cual la sociedad parece tener unas preferencias (*canon de la muerte*), que estamos preparados y en disposición de

alcanzar en buena medida, es difícil comprender por qué todavía en España se muere mal, como así se afirma desde determinados ámbitos y tomando como base la necesidad encontrada por cada vez mayor número de autonomías de promulgar leyes que traten de acabar con la arbitrariedad en el proceso final de la vida (Montes *et al.*, 2012: 54). Es decir, nos encontramos ante una situación en la que «existe un debate abierto acerca de si puede hablarse o no de la “muerte digna” como un “derecho”, incluso como un derecho humano de tercera generación» (Simón, 2008: 271)<sup>1</sup>.

En relación con la posibilidad de alcanzar la dignidad en el proceso de muerte, como más arriba se ha definido, se presentan ante nosotros distintas prácticas que, lejos de todo prejuicio, podrían facilitarlas, convertirlo en un derecho ciudadano. En concreto, en este trabajo nos vamos a referir a la eutanasia y al suicidio médicamente asistido (SMA) como aquellas prácticas que, aun de total disponibilidad, esto es, sin desmesurados costes o imposibilidades técnicas, todavía siguen siendo tipificadas en España como delitos. Atendiendo no al fin último de estas prácticas (la muerte biológica), sino a lo que se presenta como fundamento legitimador de ellas, a saber, la dignidad de los individuos (Palacios, 2009), parece incoherente que no exista, en nuestro contexto, la posibilidad de solicitarlas en ninguna situación, más aún cuando diferentes estudios han demostrado el amplísimo apoyo social a su legalización como libertad negativa (Aguiar *et al.*, 2016).

Pese a la variedad de estudios publicados que se adentran en el tema desde dife-

<sup>1</sup> Aquellos derechos en los que se comienza a considerar «al pueblo como sujeto y no solamente al Estado; por lo que el derecho internacional ya no puede verse más como un derecho solamente interestatal cuyos sujetos son Estados, sino que por el contrario las personas que forman el pueblo son los beneficiados de dichos derechos» (Estrada, 2006: 253).



rentes ámbitos —sociológico, político, jurídico, ético, religioso...—, las prácticas sobre las que aquí vamos a profundizar siempre han sido generadoras de controversia (Simón, 2008) y pocas veces han sido definidas con claridad; bien al contrario, para deslindar sus diversos significados se han ido introduciendo adjetivos como activa, pasiva, directa, indirecta, voluntaria o involuntaria que, lejos de aclarar los conceptos, enturbiaban los mismos y oscurecen la realidad que tratan de definir. Cierto es que estos adjetivos han acompañado fundamentalmente al término eutanasia, ya que ha sido esta práctica la que ha estado más presente en la sociedad española y europea frente al suicidio médicamente asistido, práctica más asumida y comprendida dentro de las sociedades anglosajonas.

En este sentido, la comunidad autónoma andaluza, en su Ley 2/2010, de 8 de abril, de Derechos y Garantías de la Dignidad de la Persona en el Proceso de la Muerte (Ley 127, 2010), en su artículo 5, tuvo que hacer una exhaustiva definición de diferentes términos al ser conscientes sus redactores de la escasa claridad de los mismos, incluso entre expertos en el tema.

En este trabajo, con objeto de aquilatar bien sus aportaciones, vamos a seguir la conceptualización que realiza P. Simón (2008), que considera que el término eutanasia debe restringirse para aquellas acciones que:

- producirán la muerte de los pacientes, de forma directa y a través de una relación causa-efecto única e inmediata;
- son realizadas a petición expresa, reiterada e informada de los pacientes en situación de capacidad;
- son llevadas a cabo en un entorno de sufrimiento, de «dolor total», producido por una enfermedad incurable que el paciente siente como inaceptable y que, además, no ha podido ser calmada por otros medios;

- son realizadas por profesionales de la sanidad, conocedores del sentir de los pacientes y con quienes mantienen una relación clínica que se considera significativa (Simón, 2008).

Es importante subrayar una vez más, de esta definición, que cualquier acto que no se produzca por petición expresa del individuo no puede ser considerado eutanasia (Montes *et al.*, 2012).

Por su parte, se hablará de «suicidio médicamente asistido» (o, como gustan llamar otros autores, auxilio médico al suicidio) cuando se den las tres últimas circunstancias anteriores, pero la actuación de los profesionales médicos se restringirá únicamente a proporcionar los medios necesarios para que sea el mismo paciente quien se produzca la muerte (Simón, 2008). En resumen, lo que diferencia una y otra práctica es que en la eutanasia es el profesional médico el que, de forma directa, interviene para que el paciente muera, mientras que en el suicidio médicamente asistido es el propio paciente el que se quita la vida con los medios e indicaciones que le proporciona el médico.

Planteada la importancia social del tema que nos ocupa y definidas las dos prácticas objeto de nuestro análisis, nos encontramos en situación de presentar los objetivos de esta investigación. Así, en un primer momento, nuestra investigación va dirigida a medir el apoyo que tienen estas prácticas por parte de los españoles, contrastando, a su vez, si hay diferencias significativas en sus opiniones y actitudes respecto a la regulación de ambas prácticas. De ser así, trataremos de determinar qué características sociodemográficas y contextuales pudieran ayudarnos a explicar el diferente apoyo a cada una de estas prácticas, buscando, por tanto, no solo conocer qué apoyo reciben, sino también por parte de quiénes. Por último, interpretaremos y discutiremos los resultados desde una perspectiva sociológica que bebe del republicanismo cívico y la bioética.

## MATERIAL Y MÉTODOS

Para dar base empírica a esta investigación hemos utilizado fundamentalmente datos recogidos por el CIS en el Estudio 2.803, «Atención a pacientes con enfermedad en fase terminal», del año 2009<sup>2</sup>. En dicho estudio se entrevistó a una muestra representativa de la población nacional, constituida por 2.481 individuos con un porcentaje de hombres y mujeres igual al 48,1% y 51,9% respectivamente, de 18 años y más.

En primer lugar se seleccionaron del cuestionario original aquellas preguntas (tabla 1) que más directamente nos permitirían analizar la posición de los ciudadanos respecto a nuestro objetivo general, es decir, regulación tanto de la eutanasia (p. 37) como del suicidio médicamente asistido (p. 38). Estas preguntas conforman la base empírica de nuestras variables dependientes.

En segundo lugar, se hizo un análisis de frecuencias y descriptivo para aquellas variables sociodemográficas y de contexto susceptibles de ser utilizadas como variables independientes, a saber: sexo, edad, asistencia a la escuela, estudios del entrevistado, situa-

ción laboral, autopoicionamiento en materia religiosa, estatus socioeconómico, ideología, partido político al que votó en las últimas elecciones generales, estado civil, comunidad autónoma y tamaño del hábitat.

Tras ello, con objeto de introducir las variables en los análisis de forma adecuada y de facilitar su interpretación en relación a los objetivos de esta investigación, consideramos necesaria la recodificación de algunas de las variables independientes propuestas (tabla 2).

Igualmente, pero, en este caso, con el fin de poder identificar claramente cuáles son las situaciones en las que los ciudadanos alcanzan un alto grado de acuerdo sin indecisión y en cuáles existe mayor incertidumbre, ya sea por motivos ideológicos, morales o incluso por falta de claridad conceptual, se hizo una recodificación de las variables dependientes (regulación de la eutanasia y regulación del suicidio médicamente asistido). En dicha recodificación se da cuenta, por un lado, de aquellas opiniones favorables tanto a la regulación de la eutanasia como al suicidio médicamente asistido, sin ningún tipo de confusión, es decir, contemplando única-

**TABLA 1.** Preguntas del cuestionario que darán lugar a las variables dependientes de la investigación

Preguntas seleccionadas	
Prácticas legalizables	P. 37 ¿Cree Ud. que en España debería regularse por Ley la eutanasia?
	P. 38 (Cree Ud. que en España debería regularse por Ley) ¿Y el suicidio médicamente asistido?

*Fuente:* Elaboración propia a partir de los datos del Centro de Investigaciones Sociológicas, 2009. Número de Estudio: 2.803.

<sup>2</sup> Disponible, tanto la ficha técnica del estudio como su matriz de datos y diferentes tabulaciones, en: [http://www.cis.es/cis/opencm/ES/1\\_encuestas/estudios/ver.jsp?estudio=9982](http://www.cis.es/cis/opencm/ES/1_encuestas/estudios/ver.jsp?estudio=9982)

mente la categoría de respuesta «sí, con toda seguridad», y, por otro lado, se agruparon todas las demás categorías de respuesta, incluso la categoría «creo que sí, pero no

**TABLA 2.** Recodificación de variables independientes

Variable	Variable recodificada	¿Por qué?
Asistencia escuela (1)	- Sí - No	La consideración de recodificar se llevó a cabo con el fin de poder agrupar, por un lado, a quienes asistieron a la escuela, y por otro, agrupar, por un lado, a quienes asistieron a la escuela, y por otro, a aquellos que, independientemente de ser o no analfabetos, no lo hicieron.
Materia Religiosa (2)	- Católico - No Católico - No Religioso	La consideración de recodificar se llevó a cabo con el fin de poder establecer claramente, por un lado, a los seguidores de la religión católica, predominante en nuestra sociedad, y por otro, para definir visiblemente a aquellos individuos no creyentes de ninguna.
Escala Ideológica (3)	- Izquierda - Centro-izquierda - Centro - Centro-derecha - Derecha	La consideración de recodificar se llevó a cabo con el fin de poder establecer de una forma precisa las posiciones ideológicas en las cuales se sitúa la población.
Partido que votó en las últimas elecciones generales (4)	- PP - PSOE - IU - Otros Partidos - Votos en Blanco	La consideración de recodificar se llevó a cabo por, aunque hoy día se está rompiendo la tradición bipartidista de la sociedad española.
Comunidad Autónoma (5)	- Con LDGPPM - Sin LDGPPM	La consideración de reconciliar se llevó a cabo con el fin de poder establecer, si existen, diferencias entre aquellas comunidades que poseen LDGPPM y aquellas que no.

\*1 P. 55: ¿Ha ido Ud. a la escuela o cursado algún tipo de estudios? -No, es analfabeto; -No, pero sabe leer y escribir; -Sí, ha ido a la escuela.

\*2 P. 47: ¿Cómo se define Ud. en materia religiosa: católico/a, creyente de otra religión, no creyente o ateo/a? -Católico/a; -Creyente de otra religión; -No creyente; -Ateo/a.

\*3 P. 46: Cuando se habla de política se utilizan normalmente las expresiones izquierda y derecha. En esta tarjeta hay una serie de casillas que van de izquierda a derecha. ¿En qué casilla se colocaría Ud.? -1, 2, 3, 4, 5, 6, 7, 8, 9, 10.

\*4 P. 52<sup>a</sup>: ¿Y podría decirme a qué partido o coalición votó? -PSOE; -PP; -IU; -CiU; -PNV; -UPyD; -ERC; -BNG; -CC; -NaBai; -Otros partidos; -En blanco.

\*5 Opción cumplimentada por el entrevistador/a.

Fuente: Elaboración propia.

estoy totalmente seguro/a». La razón por la que tomamos dicha decisión metodológica fue minimizar los falsos positivos, aun sabiendo que se incrementarían sin duda los falsos negativos, puesto que en este segundo grupo incluimos a aquellos individuos que, si bien se encuentran a favor, todavía muestran algún tipo de duda o reticencia. En definitiva, con esta estrategia metodológica, cuando en este trabajo se hable de apoyo a una u otra práctica, el lector debe saber que se hace fuera de duda o interpretación algu-

na, siendo fieles a las firmes opiniones de los ciudadanos, lo cual consideramos un valor en un tema tan difícil conceptualmente y controvertido social y políticamente.

Una vez hechas dichas recodificaciones de las variables utilizadas, estábamos en condiciones de comprobar si la proporción de personas que eligen una u otra posición (acuerdo sin ambigüedad – todos los demás), tanto para el caso de la eutanasia como para el suicidio médico asistido, difiere de forma significativa en función de las variables socio-

demográficas antes expuestas. En este sentido, puesto que todas las variables independientes presentan un nivel de significación menor a 0,05, consideramos oportuno incluirlas sin excepción en nuestros análisis.

Se hicieron tablas de contingencia con sus respectivas pruebas estadísticas, con objeto de ver de forma bivariada la asociación entre variables y, posteriormente, se utilizó la técnica de la segmentación jerárquica. El objetivo de esta técnica fue explorar cuáles son las características sociodemográficas de los encuestados que más discriminaban a la hora de posicionarse, en un sentido u otro, en relación a la regulación de la eutanasia y el suicidio médicamente asistido.

Con el objetivo de profundizar algo más en el fenómeno de los derechos de salida y en el análisis que se estaba llevando a cabo, nos parecía interesante crear una nueva variable a la que hemos llamado «derechos de salida» y que tiene dos categorías: 1) formada por la suma de aquellas personas que abogan por la regulación de ambos derechos de salida y aquellos otros que se posicionan

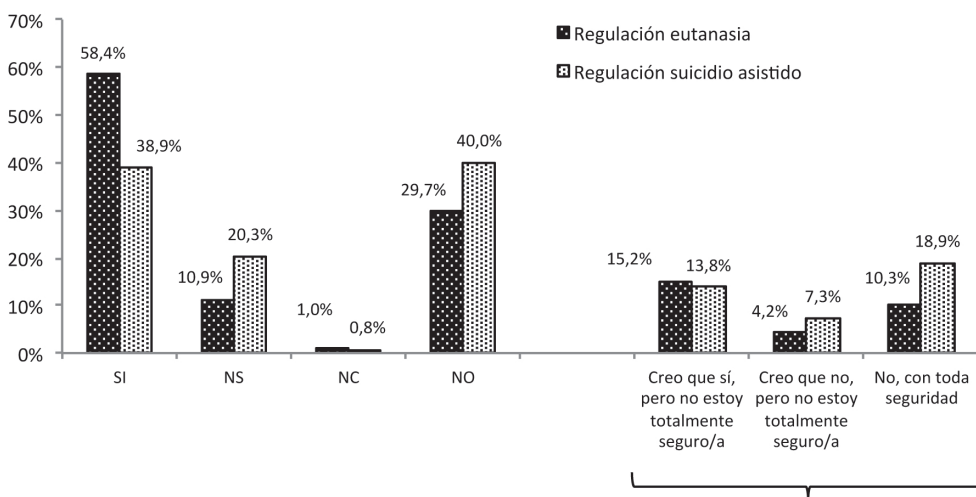
en contra de ambos (categoría que hemos etiquetado como «coherentes») y 2) la formada por aquellos otros que se posicionan a favor sin reservas de una de las dos prácticas pero no de la otra (a los que hemos llamado «disonantes»).

En este caso, y viendo que, de nuevo, todas las variables sociodemográficas que utilizamos en el análisis bivariado obtienen un nivel de significación menor a 0,05, volvimos a llevar a cabo el mismo proceso anterior; es decir, utilizamos la segmentación jerárquica, aunque, esta vez, la variable dependiente utilizada fue la nueva variable creada: «derechos de salida» (coherentes y disonantes).

## RESULTADOS

El primer resultado de interés fue constatar, una vez más, que la población española presta un importante apoyo (en el caso que nos ocupa podemos decir que con total seguridad) tanto a la regulación de la eutanasia como al suicidio médicamente asistido (gráfico 1). En el caso de la eutanasia, la postura

**GRÁFICO 1.** Opinión de la población española frente a los derechos de salida



*Fuente:* Elaboración propia a partir de los datos del Centro de Investigaciones Sociológicas, 2009. Encuesta nacional, 2.481 entrevistas a población mayor de 18 años. Número de Estudio: 2.803.

favorable es claramente la mayoritaria y, para el caso del suicidio médicamente asistido, el «sí, con total seguridad», sin ser mayoritario, es muy importante, más aún cuando la otra categoría, «no», como se dijo en el epígrafe anterior, comprende tanto a los que se posicionan de forma más o menos firme en el «no» como a los que aun mostrando una postura favorable a su legalización, no están totalmente seguros (la opción «no» es la suma de «no, con total seguridad», «creo que sí, pero no estoy totalmente seguro/a» y «creo que no, pero no estoy totalmente seguro/a»).

De este primer gráfico podemos subrayar tres resultados que consideramos significativos: a) que existe un apoyo muy importante de la población española mayor de 18 años a ambos *derechos de salida*; b) que dicho apoyo es diferente según la práctica o derecho por el que se pregunte (encontrando un apoyo 20 puntos porcentuales superior en el caso de la regulación de la eutanasia) y c) que, para el caso del suicidio médicamente asistido, las respuestas contenidas dentro de la categoría «n.s.» doblan a las de la otra práctica por la que se pregunta.

A la vista de estos resultados cabe abordar el segundo objetivo de esta investigación y responder a las siguientes preguntas: ¿qué

elementos caracterizan a aquellas personas que apoyan o defienden cada uno de estos *derechos de salida*?, ¿podemos encontrar diferencias sociodemográficas entre ambos grupos?, en suma, ¿qué características pueden estar relacionadas con el apoyo de la sociedad española a la regulación de una u otra práctica? Ello es relevante, puesto que, aunque cuando se habla de *derechos de salida*, por lo general, se incluyen ambas prácticas, los datos nos muestran que no tienen en España ni la misma consideración social ni el mismo apoyo.

Con este objetivo se han realizado en primer lugar tablas de contingencia entre las dos variables dependientes tenidas en cuenta y todas las variables sociodemográficas. Este primer análisis descriptivo nos ofrece también tres resultados dignos de destacar y relevantes para nuestros objetivos:

- 1) Existen unos rasgos sociodemográficos que están estadísticamente asociados y caracterizan a los individuos que, por lo general, apoyan ambos *derechos de salida* (tabla 3).
- 2) Aun siendo prácticamente las mismas características sociodemográficas las que definen a uno y a otro grupo, se observa con claridad que el apoyo al suici-

**TABLA 3.** Características sociodemográficas de las personas favorables a la regulación de los derechos de salida

- Hombre	- Votantes de partidos de izquierda
- Adulto-joven	- Nuevas clases medias
- Estudios superiores a secundaria	- Divorciados
- No religiosos	- Residentes en CC. AA. sin Ley de Derechos y Garantías de la Dignidad de las Personas en el Proceso de la Muerte
- Ideología izquierda	- Residentes en hábitat de más de 1.000.000 de habitantes

Fuente: Elaboración propia a partir de los datos del Centro de Investigaciones Sociológicas, 2009. Encuesta nacional, 2.481 entrevistas a población mayor de 18 años. Número de Estudio: 2.803.

**TABLA 4.** Características de la población a favor de la regulación de los derechos de salida (%)

		Regulación eutanasia	Regulación suicidio asistido
Sexo	Hombre	62,2	41,1
	Mujer	54,8	36,6
Edad	18-29	64,2	43,2
	30-44	67,9	48,9
	45-64	58,4	38,6
	65 y +	37,9	19,6
Asistencia escuela	Sí Escuela	60,2	40,5
	No Escuela	28,3	13
Estudios	Sin Estudios	31,1	14,3
	Primaria	53,7	33,4
	Secundaria	64,8	42,8
	F.P.	71,6	51,8
	Medios Universitarios	64,1	45,3
	Superiores	69	54,8
Situación laboral	Trabaja	65,4	45,7
	Jubilado/a (anteriormente ha trabajado)	46,9	25,6
	Pensionista (anteriormente no ha trabajado)	27,8	19,6
	Parado/a y ha trabajado antes	64,8	43,3
	Parado/a y buscar primer empleo	57,1	21,4
	Estudiante	67	46
	Trabajo doméstico no remunerado	49	33,7
Estatus socio-económico	Otra situación	76,9	53,8
	Clase alta/media-alta	66,3	48,8
	Nuevas clases medias	68	48,9
	Viejas clases medias	47,6	28,3
	Obreros cualificados	58,5	39,1
Materia religiosa	Obreros no cualificados	48,6	26,7
	Católico	52,3	33,6
	No católico	37,5	25,9
Escala ideológica	No religioso	82,9	59,3
	Izquierda	82,8	61,7
	Centro-Izquierda	71,7	50,3
	Centro	57,8	37,8
	Centro-Derecha	48,8	29,3
Último partido que votó	Derecha	46	26
	PSOE	67,50	47
	PP	50,5	31,3
	IU	70,4	52,1
	Otros partidos	70,9	46,3
	Voto blanco	70,5	47,7



**TABLA 4.** Características de la población a favor de la regulación de los derechos de salida (%) (Continuación)

		Regulación eutanasia	Regulación suicidio asistido
Estado civil	Casado/a	55,1	35,6
	Soltero/a	67,7	48,6
	Viudo/a	36,8	20,5
	Separado/a	71,4	39,3
	Divorciado/a	72,9	52,9
LDGPPM	Con LDGPPM	54,3	35,3
	Sin LDGPPM	60	40,3
Tamaño hábitat	< 2.000	44,3	27,2
	2.001 - 10.000	56,5	35,5
	10.001 - 50.000	59,4	38,7
	50.001 - 100.000	56,6	38,3
	100.001 - 400.000	58,5	39,2
	400.001 - 1.000.000	57,8	41
	> 1.000.000	69,5	50,4

Fuente: Elaboración propia a partir de los datos del Centro de Investigaciones Sociológicas, 2009. Encuesta nacional, 2.481 entrevistas a población mayor de 18 años. Número de Estudio: 2.803.

dio médicamente asistido es considerablemente más bajo en cada una de las variables sociodemográficas que conforman dicho perfil (tabla 4).

3) Hay un alto número de individuos que, dentro de cada variable, se posicionan en la categoría «n.s.» en caso del suicidio médicamente asistido.

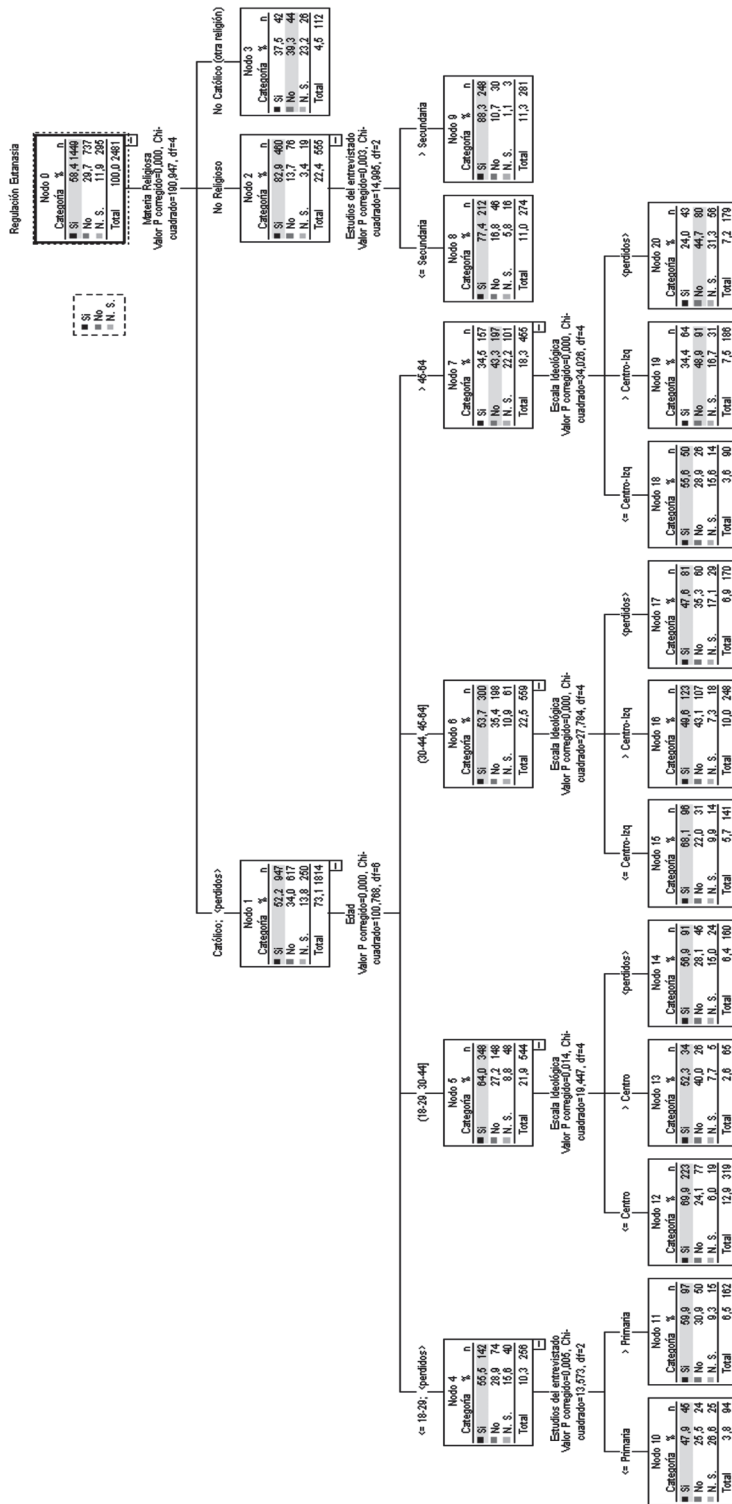
Por otro lado, más allá de precisar las características mayoritariamente asociadas a ambos grupos, en nuestro propósito de dar un paso más en el análisis, se realizó una segmentación jerárquica, cuya finalidad era «dada una población de elementos, identificar subconjuntos homogéneos con respecto a determinadas características» (Luque, 2000: 347). Es decir, utilizar «un conjunto de técnicas o de algoritmos que, considerando una variable a explicar, persiguen la formación de grupos homogéneos, partiendo la población inicial secuencialmente respecto de esa variable que está explicada por otras variables independientes o explicativas» (*ibid.*: 348).

Por tanto, continuando con esta exposición de resultados, pasamos a presentar, por

separado, los principales resultados obtenidos para cada uno de estos dos primeros árboles de segmentación jerárquica (gráficos 2 y 3).

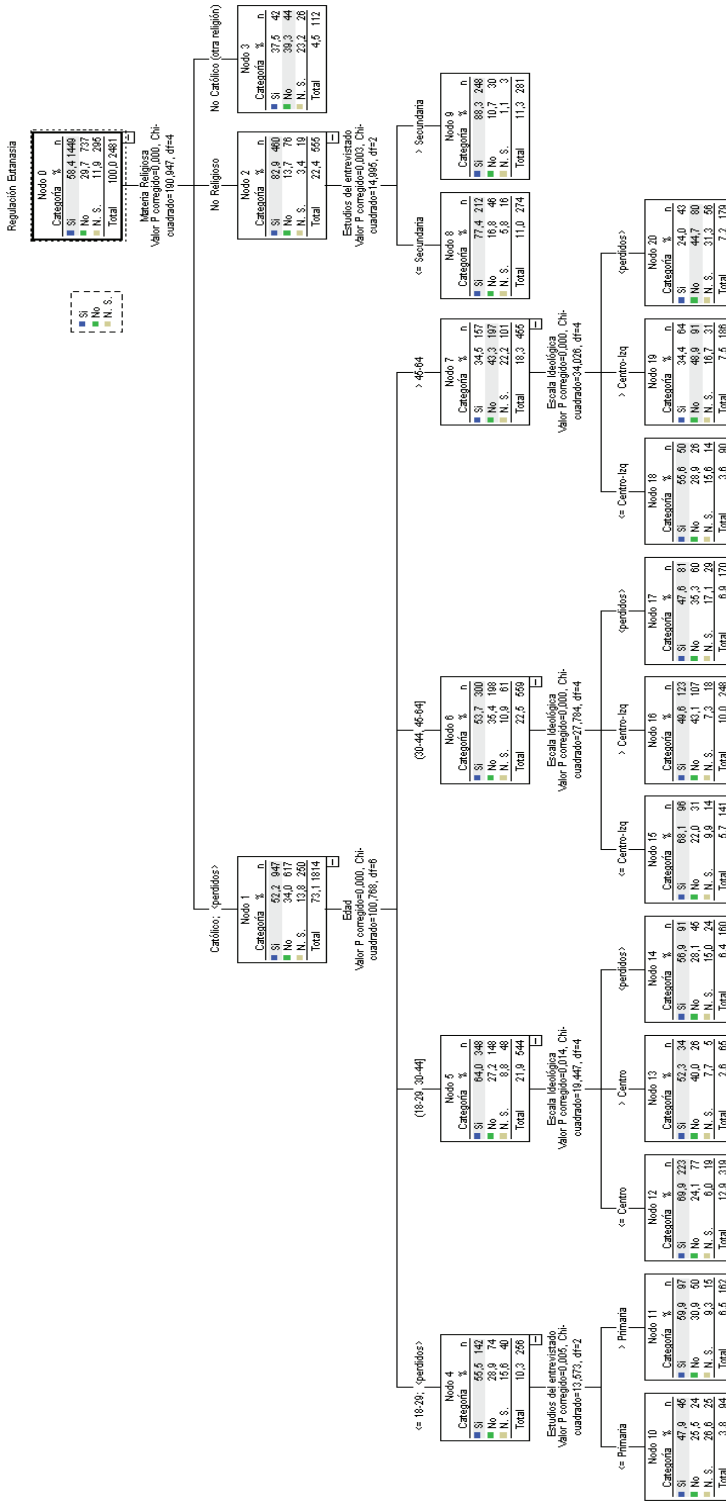
A pesar de la claridad y el poder de explicación que estos gráficos tienen por sí mismos, consideramos interesante exponer algunos de los resultados que posteriormente trataremos de discutir. En este sentido, cabe destacar que, en el primero de los árboles de segmentación jerárquica (gráfico 2), la primera variable que discrimina en cuanto al posicionamiento de la sociedad española ante la regulación de la eutanasia, es el autopoicionamiento en «materia religiosa». En este primer nodo, es importante dar cuenta de que, incluso entre aquellos individuos que se consideran católicos, el «sí» a la regulación de esta práctica es la opción mayoritaria (52,2%); no obstante, son los individuos no religiosos (nodo 2) los que presentan un mayor porcentaje de apoyo a su legalización, es decir al «sí» (82,9%). Y, por último, que aunque el «no» tenga mayor porcentaje entre los religiosos no católicos (nodo 3), esta opción no dista mucho de su contraria (39,3% fren-

**GRÁFICO 2.** Árbol de segmentación jerárquico con variable dependiente regulación eutanasia



Fuente: Elaboración propia a partir de los datos del Centro de Investigaciones Sociológicas, 2009. Encuesta nacional. 2.481 entrevistas a población mayor de 18 años. Número de Estudio: 2.803.

GRÁFICO 3. Árbol de segmentación jerárquico con variable dependiente regulación suicidio médicamente asistido



Fuente: Elaboración propia a partir de los datos del Centro de Investigaciones Sociológicas, 2009. Encuesta nacional, 2.481 entrevistas a población mayor de 18 años. Número de Estudio: 2.803.

te al 37,5%), presentando además un elevado porcentaje la opción «n.s.» (23,2%).

En el segundo nivel, la variable que discrimina más en el análisis es diferente para los católicos y para los no religiosos. Para los primeros es el grupo de edad del entrevistado, siendo así que, a mayor edad de los católicos, menor apoyo a la legalización de la eutanasia, de modo que entre los mayores de 64 años, la opción «no» es ya la mayoritaria, mostrando una postura contraria a la expresada por los más jóvenes. Para el caso de los no religiosos, la segunda variable más importante, la que más discrimina, no es la edad, sino el nivel de estudios alcanzado, siendo así que los que tienen estudios inferiores a secundaria muestran un apoyo al «sí» once puntos porcentuales inferior a los que tienen, como mínimo, estudios secundarios. Es interesante señalar que en el caso de los católicos, la variable que más discrimina es una variable adscrita (la edad), mientras que para los no católicos es una variable adquirida (la formación).

Siguiendo nuestra línea expositiva y bajando ya al tercer nivel del análisis de segmentación, observamos que es diferente la variable discriminatoria entre los católicos más jóvenes (nodo 4) y el resto de ellos (nodos 5, 6 y 7). Es interesante resaltar, por un lado, cómo el porcentaje de los católicos más jóvenes que tienen estudios iguales o inferiores a primaria (nodo 10) aumenta para la categoría «n.s.» (26,6%); y, por otro lado, ver cómo, en este tercer nivel, únicamente el grupo de católicos de mayor edad con una posición ideológica de centro, centro-derecha o derecha (nodo 19) es mayoritario en la postura contraria a la legalización de la eutanasia (48,9%).

Para el segundo de los árboles de segmentación que aquí presentamos (el que tiene como variable dependiente la legalización del suicidio médicamente asistido, gráfico 3) lo primero a tener en cuenta, antes incluso de señalar las variables que más discriminan,

es que, como se destacó anteriormente, algo más de una quinta parte de la población encuestada se sitúa en la categoría «n.s.» (21,1%). Dicho esto, se observa que la primera variable que entra en el análisis discriminando no es otra que el nivel de estudios reglados del entrevistado, mostrando una fuerte división entre los que tienen estudios primarios o menos (que están mayoritariamente en contra de su legalización) y los que tienen estudios superiores a secundaria (que muestran un apoyo mayoritario a su legalización), siendo los que tienen estudios primarios o secundarios los que están más divididos (casi mitad por mitad). Es importante destacar también que, conforme mayor es el nivel de estudios del entrevistado, también es menor el porcentaje de los que dicen no saber.

En un segundo nivel de análisis, las variables que entran son el autopoicionamiento ideológico (tanto para el grupo de los que tienen más estudios como para el de los que tienen menos) y el «estado civil» para el grupo más dividido en su apoyo a la legalización del suicidio médicamente asistido (los que tienen estudios primarios o secundarios).

El autopoicionamiento ideológico opera en el mismo sentido tanto en el grupo con menos estudios como en el de los que tienen más de estudios secundarios: cuanto más a la izquierda se autopoicionan, más apoyo a la legalización. En el grupo intermedio, el estado civil los divide en dos grupos: los solteros, separados y divorciados, con un claro apoyo al «sí», y los casados y viudos, con un claro apoyo al «no».

En el tercer nivel del árbol de segmentación jerárquica obtenido, la variable que discrimina en todos los casos es la edad, excepto, en el caso de los que tienen estudios superiores a secundarios y que además se autopoicionan ideológicamente más a la derecha, entre los que la variable que discrimina en este tercer nivel es la situación laboral, haciendo solo dos grupos (nodos 19 y

20), el formado por los estudiantes, trabajadores y parados que han trabajado antes, entre los que el apoyo mayoritario es al «sí», y el grupo formado por pensionistas, jubilados, trabajo doméstico no remunerado y otras situaciones, entre los que el apoyo mayoritario es al «no».

Siguiendo con el plan de análisis descrito en el apartado anterior, los siguientes resultados a considerar son los datos obtenidos, mediante el mismo método, para la variable «derechos de salida», que fundamentalmente discrimina entre aquella población que muestra su apoyo o rechazo a ambos *derechos de salida* y aquella otra que muestra apoyo a uno de ellos pero no al otro, sea este cual sea (gráfico 4).

De este tercer árbol de segmentación jerárquica es importante señalar algunas cuestiones. En primer lugar, que una gran mayoría de la población se encuentra dentro del grupo que previamente definimos como «coherentes» (78,1%), es decir, que tienen claro su apoyo u oposición a los derechos de salida sea cual sea la práctica que se dirima, frente al grupo de los «disonantes» (21,9%). Ello viene a confirmar que una importante mayoría de la población encuestada posee una idea firme acerca de si debiesen o no regularse estas prácticas, independientemente de la especificidad de las mismas. En segundo lugar, y a simple vista, se observa cómo la mayor parte de la población encuestada se sitúa dentro de la opción que no apoya ninguna de las prácticas que venimos considerando en el trabajo (40,4%). No obstante, en una tercera apreciación, debemos advertir que frente a este rechazo de regulación de ambos *derechos de salida*, existe un 59,6% de población que apoya, al menos, uno de ellos, siendo en la mayor parte de los casos la eutanasia.

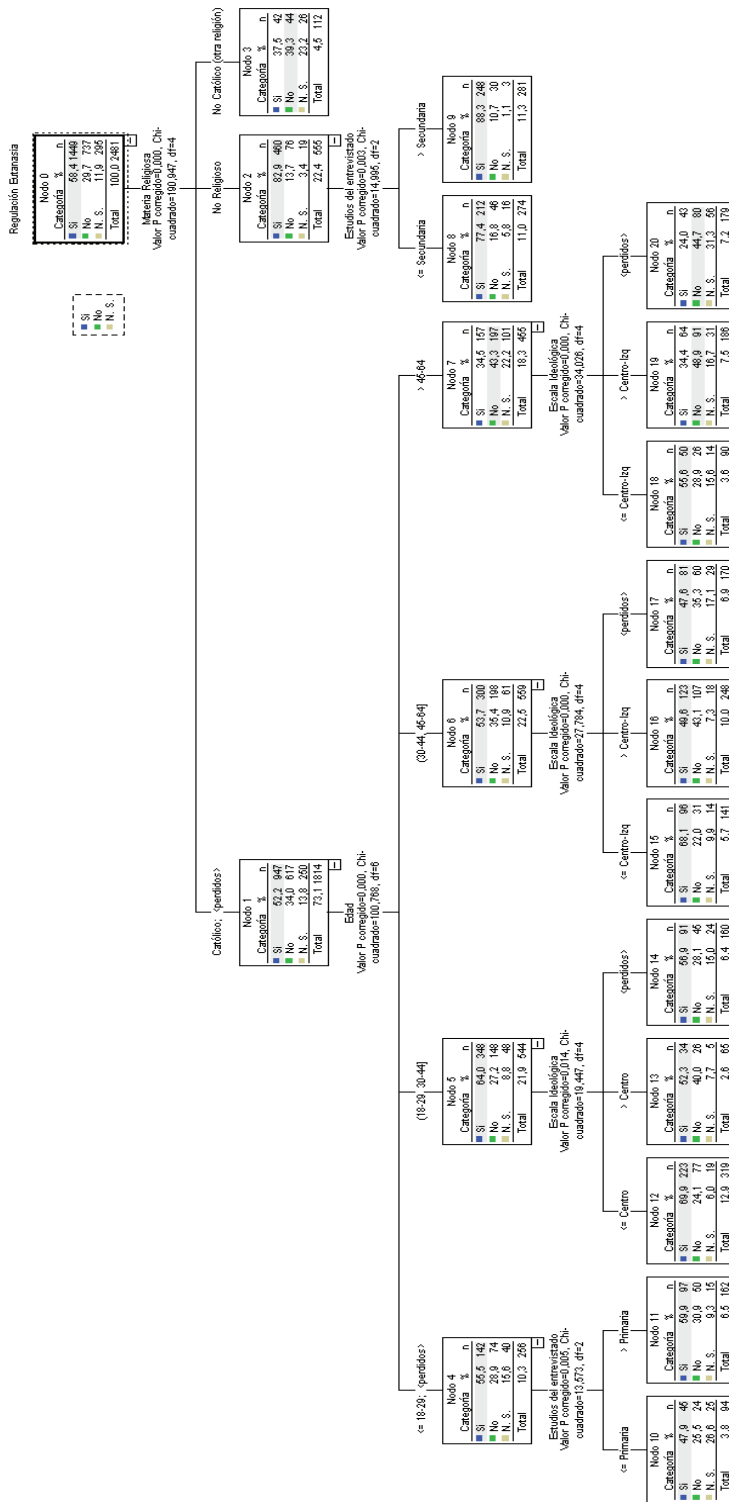
Descendiendo por este árbol de segmentación jerárquica, lo siguiente que vamos a encontrarnos es que la variable «materia religiosa» se presenta como aquella que más

segrega; encontrándonos cómo la población católica (nodo 1) se ubica en su mayoría en la categoría «no/no» (46,6%) mientras que los autodefinidos como no religiosos (nodo 2), al contrario, defienden en su mayoría la regulación de ambos *derechos de salida* (57,8%). Antes de continuar, es posible hacer un inciso, y es que tenemos aquí la posibilidad de observar la clara preferencia de los individuos hacia la regulación de la eutanasia frente al suicidio médicamente asistido, advirtiendo cómo, dentro del grupo *disonante*, la categoría «sí/no» supera en mucho a la categoría «no/sí» en todos los nodos resultantes.

Bajando a la segunda línea, donde se nos presenta la siguiente variable con más peso, curiosamente sucede lo mismo que en el caso de la regulación de la eutanasia (gráfico 2); es decir, por una parte, mientras que para el grupo de católicos (nodo 1) aparece una variable adscrita (la «edad»), para el grupo de no religiosos (nodo 2) la variable es adquirida (los «estudios del entrevistado»). Dentro de la población católica, podemos contemplar cómo a medida que se es mayor aumenta el porcentaje de ciudadanos dentro de la categoría «no/no» (37,4%, 44,7% y 65,3% respectivamente), de la misma manera que disminuyen los porcentajes de la categoría que apoya ambos *derechos de salida* (40,2%, 33,5% y 17,1% respectivamente). Por su parte, si nos centramos en el grupo de los no religiosos, pese a que en todos los nodos formados la categoría «sí/sí» se impone como mayoritaria, se observa claramente cómo este porcentaje aumenta a medida que se tiene mayor nivel educativo. Así, este porcentaje representa en aquellos con un nivel de estudios inferior a primaria un 47,8%, para los que poseen estudios entre primaria y medios universitarios un 57,6% y asciende a un 74,6% entre quienes superan los estudios medios universitarios, cayendo entonces, consecuentemente, los individuos situados dentro de la categoría «no/no».

Por último, dentro del grupo formado por los católicos, la tercera variable que más po-

GRÁFICO 4. Árbol de segmentación jerárquica con variable dependiente derechos de salida



Fuente: Elaboración propia a partir de los datos del Centro de Investigaciones Sociológicas, 2009. Encuesta nacional, 2.481 entrevistas a población mayor de 18 años. Número de Estudio: 2.803.



der de discriminación posee es la «escala ideológica». Es interesante resaltar que para los grupos formados por sujetos que se sitúan ideológicamente más a la derecha, la opción mayoritaria siempre va a coincidir en la categoría «no/no», siendo destacable que, a mayor edad del individuo, mayor desacuerdo en regular ambos *derechos de salida*. No obstante, debemos señalar que para las personas de izquierda y centro-izquierda, con 65 años o más, que se consideran católicos (nodo 14), la opción mayoritaria continúa siendo la categoría que aboga por la no regulación de ninguna de estas prácticas.

## DISCUSIÓN Y CONCLUSIONES

Una vez más la información empírica analizada constata que la población española es mayoritariamente favorable a poder tomar el control de sus vidas en el proceso de morir, optando una clara mayoría de ciudadanos por la legalización de al menos alguna de las prácticas con las que tener la oportunidad de poner fin a sus vidas legalmente en situaciones controladas e irreversibles de dolor total. No obstante, las dos prácticas que se analizan en este trabajo son diferentes, así se perciben y, además, no recaban el mismo apoyo en la sociedad española, aunque sí tienen un perfil parecido aquellos que las apoyan.

Es curiosamente la eutanasia la que encuentra más apoyos en nuestra sociedad, lo cual es cuando menos digno de explicación porque analíticamente la estrecha línea que la separa del suicidio médico asistido, desde un punto de vista causal, está relacionada con quién actúa en último lugar, es decir, si es el propio paciente, u otra persona, en este caso el médico.

Desde una perspectiva lógica-moral e incluso jurídico-formal, pareciera más fácil de justificar el suicidio médicamente asistido que la eutanasia. En primer lugar, por cuanto que en el acto de dar muerte no interviene de

forma directa una segunda persona y, en segundo lugar, porque el suicidio en la actualidad no es algo ilegal (de hecho, ni siquiera lo es el hecho de retirar un tratamiento a petición expresa del paciente mayor de 16 años, aunque dicha retirada conduzca a la muerte). Ciertamente es que, como bien argumenta R. G. Frey, el derecho a no recibir un tratamiento no implica el derecho a que sean facilitados los remedios para morir (1998: 63), por lo que no es lo mismo eliminar o no administrar una ayuda que facilitarla con objeto de que el paciente pueda poner fin a su vida. Al igual, y en el mismo sentido lógico-moral, que no es lo mismo facilitar un medio para que alguien ponga fin a su vida, dadas unas determinadas circunstancias (suicidio médicamente asistido), que causar la muerte del mismo aunque sea tras su reiterada petición y en las circunstancias planteadas en la introducción (eutanasia).

Sin embargo, en España, los datos muestran un sensible mayor apoyo de la población adulta a la eutanasia que al suicidio médicamente asistido, y no porque el perfil de los que apoyan una u otra práctica en esencia sea muy diferente, sino porque la última genera más dudas: el debate en torno a la misma quizá está menos maduro, sea menos explícito, esté más influenciado por aprioris culturales ajenos a cualquier tipo de razonamiento lógico, lo cual se refleja empíricamente en los datos expuestos con un incremento muy sustancial del no sabe. Esto parece estar en relación con una cuestión más cultural que racional. De hecho, no opera en el mismo sentido en otras sociedades de tradición más liberal, en las que de justificarse o incluso legalizarse una de estas dos prácticas, siempre es el suicidio médicamente asistido, como por ejemplo en el caso del estado de Oregón (De Miguel y López, 2006), ya que las instituciones supraindividuales (ya el Estado, ya la religión) se someten más a la libertad individual.

El suicidio en general, en sociedades como la nuestra de tradición judeocristiana,

está culturalmente proscrito, es casi anátoma, incluso tras el auge de la psiquiatría en el siglo XIX, que dejó de considerar el suicidio como un pecado convirtiéndolo en un trastorno mental, el juicio moral implícito que nos ha legado la teología cristiana permanece intacto (Critchley, 2016: 15). El suicidio ha sido considerado históricamente como «una forma de transgresión social extraordinaria, algo irracional, y como un insulto a los dioses, incluso en sociedades en que se aceptaba fácilmente el asesinato de recién nacidos, extranjeros, enemigos y esclavos» (Bok, 1998: 112). «Aristóteles, por ejemplo, daba por hecho la necesidad del infanticidio de los niños deformes, si bien consideraba que el suicidio estaba injustificado excepto cuando lo ordenaba el Estado» (Bok, 1998: 114). Es solo desde esta tradición, que antepone al Estado y/o a los dioses sobre la libertad individual, desde la que se puede comprender el mayor apoyo a la legalización de la eutanasia que al suicidio médicamente asistido. Esto da sentido a que, en la realidad empírica analizada, sea en el apoyo al suicidio médico asistido en el que se presenta la variable nivel de formación como la más determinante, por encima de posicionamientos ideológicos o incluso religiosos.

Es igualmente esta alteración cultural en el orden lógico-moral de las prácticas analizadas la que nos hace pensar en el modelo belga como modelo de legalización más plausible desde el punto de vista del apoyo social y opinión actual de la ciudadanía española (Molina y Serrano, 2014). Todo ello nos permite aventurar que no se profundizará en el camino de los derechos de salida, si los movimientos que los promueven no dejan a un lado el suicidio médico asistido, al menos en una primera etapa y apuestan solo por la legalización de la eutanasia, ya que sería más fácil recabar los apoyos ciudadanos necesarios. Esto lo hemos podido contrastar con claridad en el último árbol de segmentación jerárquica presentado, en el

que la postura del no-no (no eutanasia, no SMA) era superior a la del sí-sí, pero muy inferior a la suma de estos últimos más los del sí-no (es decir, los que solo apoyarían la eutanasia pero nunca, al menos en este momento, el suicidio médico asistido).

Además, la postura en contra de la legalización de la eutanasia se explica, como así sucede en otros países europeos (Cohen *et al.*, 2006: 753), en primer lugar por la religión, pero solo es efectiva en las personas más mayores y, por tanto, apunta a que es un efecto de cohorte (Hamil-Luker y Smith, 1998) y no será motivo para estar en contra de que se legisle a favor con el paso de unos años. Por el contrario, en el caso del suicidio médico asistido (fenómeno del que tenemos mucha menos información), el motivo que sustenta el «no» es mucho más etéreo, más cercano a la tradición cultural y, por tanto, solo superable, como se ha podido comprobar, con el incremento de formación de la población, lo que lo hace algo más lento y difícil de alcanzar.

## BIBLIOGRAFÍA

- Abellán, Antonio y Pujol, Rogelio (2015). *Un perfil de las personas mayores en España, 2015. Indicadores estadísticos básicos*. Madrid: Informes Envejecimiento en red, 10.
- Aguiar, Fernando; Cerrillo, José A. y Serrano, Rafael (2016). «¿Elegir la propia muerte?: Identidad, autonomía y buena muerte en España». En: Triviño Caballero, R. y Rodríguez-Arias, D. (eds.). *Cuestiones de vida y muerte. Perspectivas éticas y jurídicas en torno al nacer y el morir*. Madrid: Plaza y Valdes.
- Aguiar, Fernando; Serrano, Rafael y Sesma, Dolores (2009). «Eutanasia y suicidio asistido: Un debate necesario». *Policy Papers*, 3: 1-12.
- Bok, Sissela (1998). «Escoger la muerte y quitar la vida». En: Dworkin, G.; Frey, R. G. y Bok, S. *La eutanasia y el auxilio médico al suicidio*. Cambridge: Cambridge University Press.
- Blanco, Ángela (2013). *Ensayos sobre los factores que impulsan el gasto sanitario público*. Madrid: Universidad Complutense de Madrid. Disponible

- en: <http://eprints.ucm.es/20867/1/T34400.pdf> [Tesis doctoral].
- Centro de Investigaciones Sociológicas (CIS) (2009). *Atención a pacientes con enfermedades en fase terminal: estudio 2.803*. Madrid: CIS.
- Cerrillo, José A. y Serrano, Rafael (2010). *Una aproximación a los discursos de los andaluces ante la calidad en el morir*. Andalucía, Córdoba: Instituto de Estudios Sociales Avanzados (IESA-CSIC).
- Cohen, Joachim *et al.* (2006). «European Public Acceptance of Euthanasia: Socio-demographic and Cultural Factors Associated with the Acceptance of Euthanasia in 33 European Countries». *Social Sciences and Medicine*, 63(3): 743-756.
- Critchley, Simon (2016). *Apuntes sobre el suicidio*. Barcelona: Alpha Decay.
- De Miguel, Jesús M. y Mari-Klose, Marga (2000). «El canon de la muerte». *Política y Sociedad*, 35: 113-143.
- Durán, M. Ángeles (2004). «La calidad de muerte como componente de la calidad de vida». *Revista Española de Investigaciones Sociológicas*, 106(1): 9-32 .
- Durán, M. Ángeles (2007). «Los derechos de salida». En: Aramayo, R. R. y Ausín, T. (eds.) *Interdependencia. El bienestar como requisito de la dignidad* [CD-ROM]. San Sebastián: II Encuentro de Moral, Ciencia y Sociedad.
- Estrada, Elías (2006). «Derechos de tercera generación». *Podium Notarial*, 34: 249-257.
- Hamil-Luker, Jenifer y Smith, Christian (1998). «Religious Authority and Public Opinions on the Right to Die». *Sociology of Religions*, 59(4): 373-391.
- Ley Orgánica 2/2010, de 8 de abril, sobre Derechos y Garantías de la Dignidad de las Personas en el Proceso de la Muerte. *Boletín Oficial del Estado*, 127 (25 de mayo).
- Luque, Teodoro (2000). «Segmentación jerárquica». En: Luque Martínez, T. (coord.). *Técnicas de análisis de datos en investigación de mercados*. Madrid: Ediciones Pirámide.
- Miguel, Cristina de y López, Andrés (2006). «Eutanasia y suicidio asistido. Conceptos generales, situación legal en Europa, Oregon y Australia (I)». *Medicina Paliativa*, 13, 4: 207-215.
- Molina, M. Ángeles, y Serrano, Rafael (2014). «Regulación de la eutanasia y el suicidio asistido en España. ¿Hacia qué modelo se dirige la opinión pública?». *Arbor*, 190(769): 10.
- Montes, Luis *et al.* (2012). *Qué hacemos por una muerte digna*. Madrid: Akal.
- Palacios, Marcelo (2009). *Soy mi dignidad. Eutanasia y el suicidio asistido*. London: LibrosEnRed.
- Simón, Pablo *et al.* (2008). «Ética y muerte digna: Propuesta de consenso sobre un uso correcto de las palabras». *Revista de Calidad Asistencial*, 23(6): 271-285.
- Soberón, Guillermo y Feinholz, Dafna (2008). *Muerte digna. Una oportunidad real*. México, D.F.: Comisión Nacional de Bioética.

**RECEPCIÓN:** 04/10/2016

**REVISIÓN:** 10/01/2017

**APROBACIÓN:** 29/05/2017